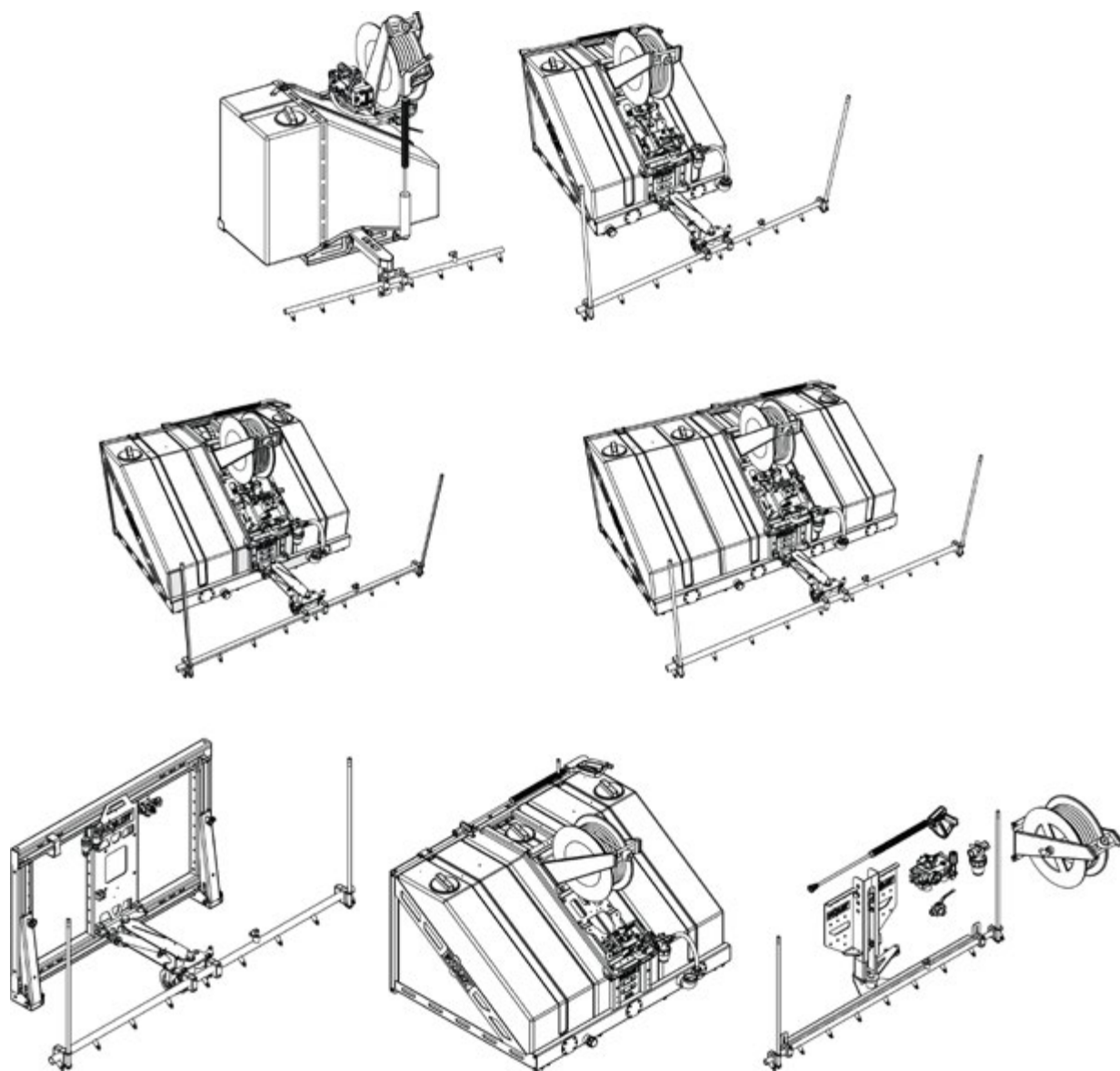


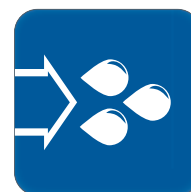
DYNASET

POWERED BY HYDRAULICS



DATA SHEET

HIGH PRESSURE STREET WASHING UNITS



KPL

KPL-F

KPL-R

KPL-TRUCK

HIGH PRESSURE STREET WASHING UNIT

DYNASET KPL High pressure street washing unit is a powerful accessory. It utilizes Dynaset HPW - Hydraulic High Pressure Water Pump, which transforms the hydraulic power of a working machine into high pressure water. The HPW pump is free of rotating parts, which makes it very durable and maintenance free.

Compact size, light weight and low water consumption make the KPL unit a cost-saving and work efficient solution. High pressure water digs dust and sand out from the pores in asphalt, concrete and similar surfaces. This way the surface will not emit dust after drying. Small water consumption makes it possible to wash large areas effectively even with a small vehicle, with less amount of water.

Street washing units raise the degree of working machine's versatility. With quick couplings the KPL units are easy to connect to different carriers. This guarantees optimal usability and best possible work results.

KPL Street Washing Units come in different models. The basic KPL Street washing Unit comes in four sizes S, M, L, XL. The basic model is a complete unit with street washing frame, pump unit and container.

The basic KPL units also include washing pistol and hose reel with 20 meter hose, which make cleaning of the apartment entrances, corners and other tight spaces effective and easy. Statues, park benches, road signs etc. can also be washed without prior arrangements with the handy washing pistol.

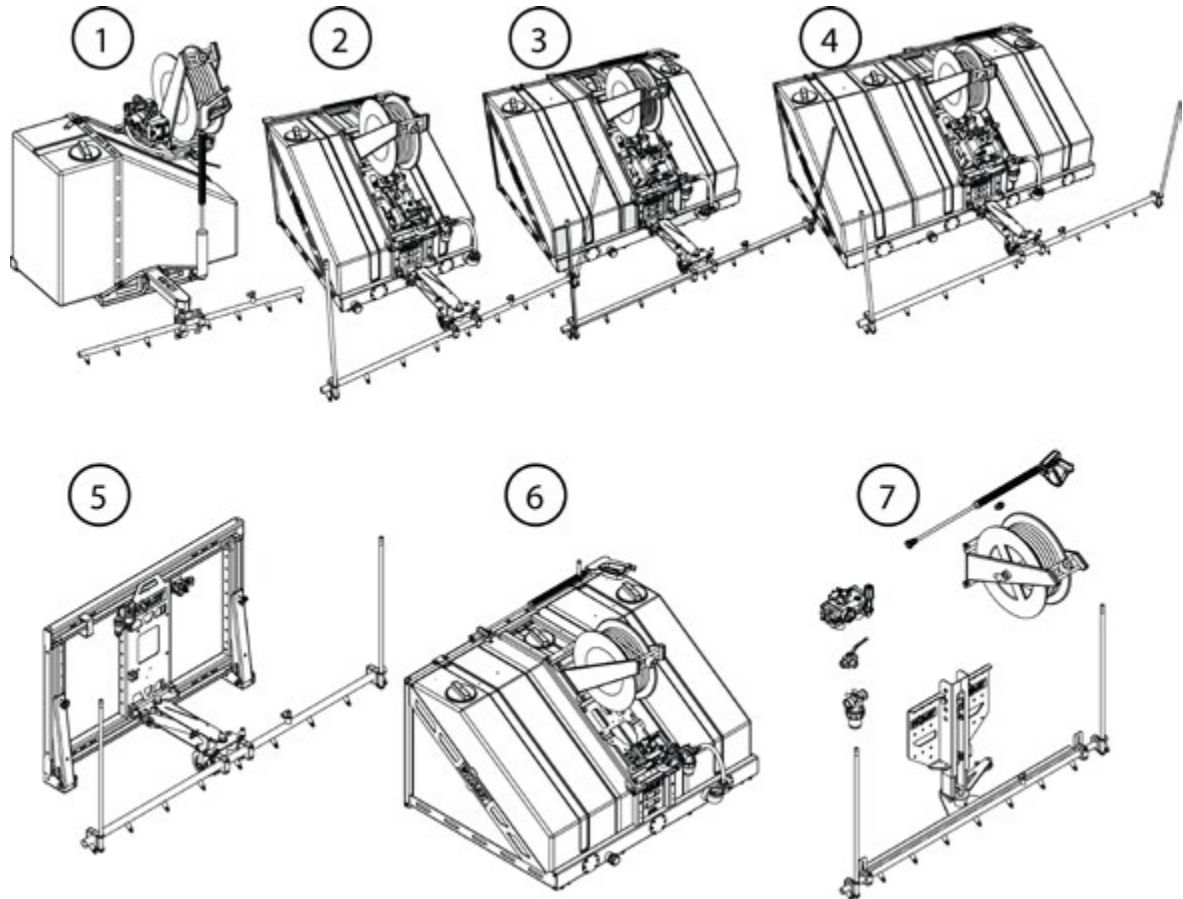
KPL-F is a modular unit, where you have the KPL washing frame unit as standard. The optional pump unit and the washing pistol with the hose reel can be installed separately to more suitable place according to the users needs. The KPL-F does not include the container, but can easily be connected to other water source or container, like a KPL-R.

KPL-R is also modular in sense that the container and the pump unit is combined and but does not include the street washing head. KPL-R can easily be combined with existing washing head or with KPL-F.

KPL TRUCK contains the washing head, pump unit and hose reel with washing pistol. It is designed for trucks and such vehicles.

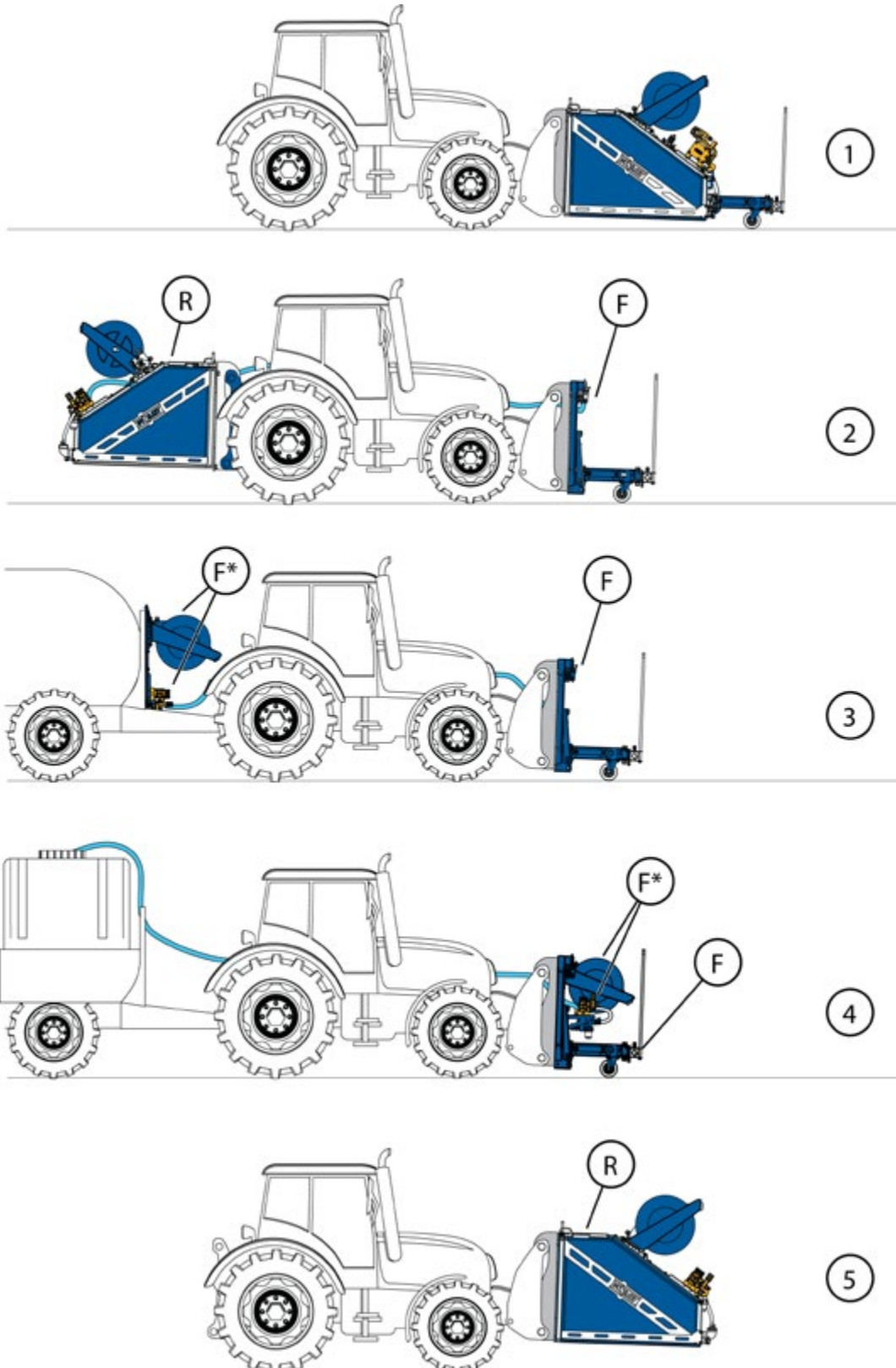
The units and their combinations are presented in this chapter.

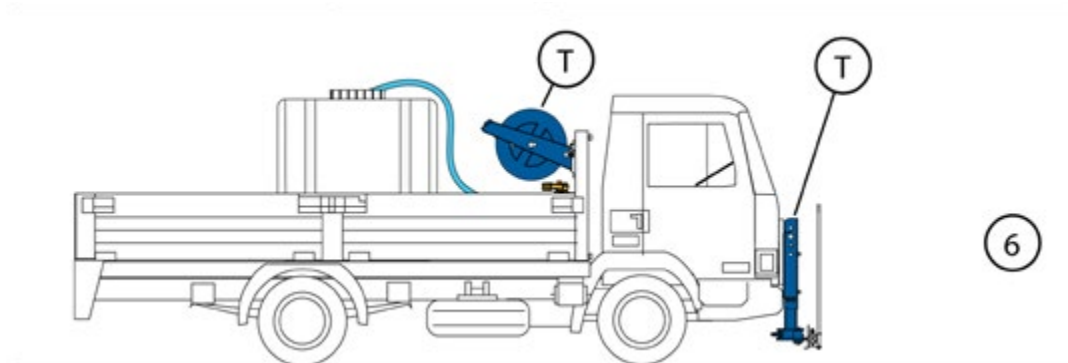
KPL UNIT LINE-UP



Picture 1: KPL unit line-up

| KPL MODELS | | | |
|---------------|---------------------|--------------|-----------------------|
| 1.-4. BASIC | 5. KPL-F | 6. KPL-R | 7. KPL-TRUCK |
| 1. KPL S 250 | KPL-F-1650x9x6501 | KPL-R-M-250 | KPL-TRUCK-250-1650x9 |
| 2. KPL M 250 | KPL-F-2200x10x65015 | KPL-R-L-250 | KPL-TRUCK-220-2200x10 |
| 3. KPL L 250 | KPL-F-1850x9x65015 | KPL-R-L-220 | KPL-TRUCK-90-2200x10 |
| 3. KPL L 220 | KPL-F-2200x10x6503 | KPL-R-XL-220 | KPL-TRUCK-180-2200x10 |
| 4. KPL XL 220 | - | KPL-R-XL-180 | - |
| 4. KPL XL 180 | - | - | - |

USE AND COMBINATIONS OF KPL UNITS**Picture 2: KPL Combinations**



Picture 3: KPL Combinations

1. Basic KPL is a standalone unit for street and power washing. It comes in four standard sizes S, M, L, XL.
2. A tractor equipped with a KPL F in the front and the KPL-R on the rear. The KPL-F contains the washing pipe and the KPL-R has the container, pump unit and washing pistol with the hose reel.
3. Here is a combination of the standard KPL-F and optional KPL-F Pump unit and KPL-F Hose reel unit. Combination enables more modular placement of the washing setup on the working machine.
4. Another combination with the standard KPL-F, optional KPL-F Pump unit and KPL-Hose reel unit. This is perfect for those who already have a water container and want to have the washing pistol ready and available in the front of the machine.
5. The KPL-R has, as standard, container, pump unit, a washing pistol and hose reel so it can also be used as a standalone unit for power washing.
6. KPL Truck is designed to be installed on trucks, pick-ups and similar vehicles. It contains, as standard, washing pipe frame, pump unit and washing pistol with a hose reel.

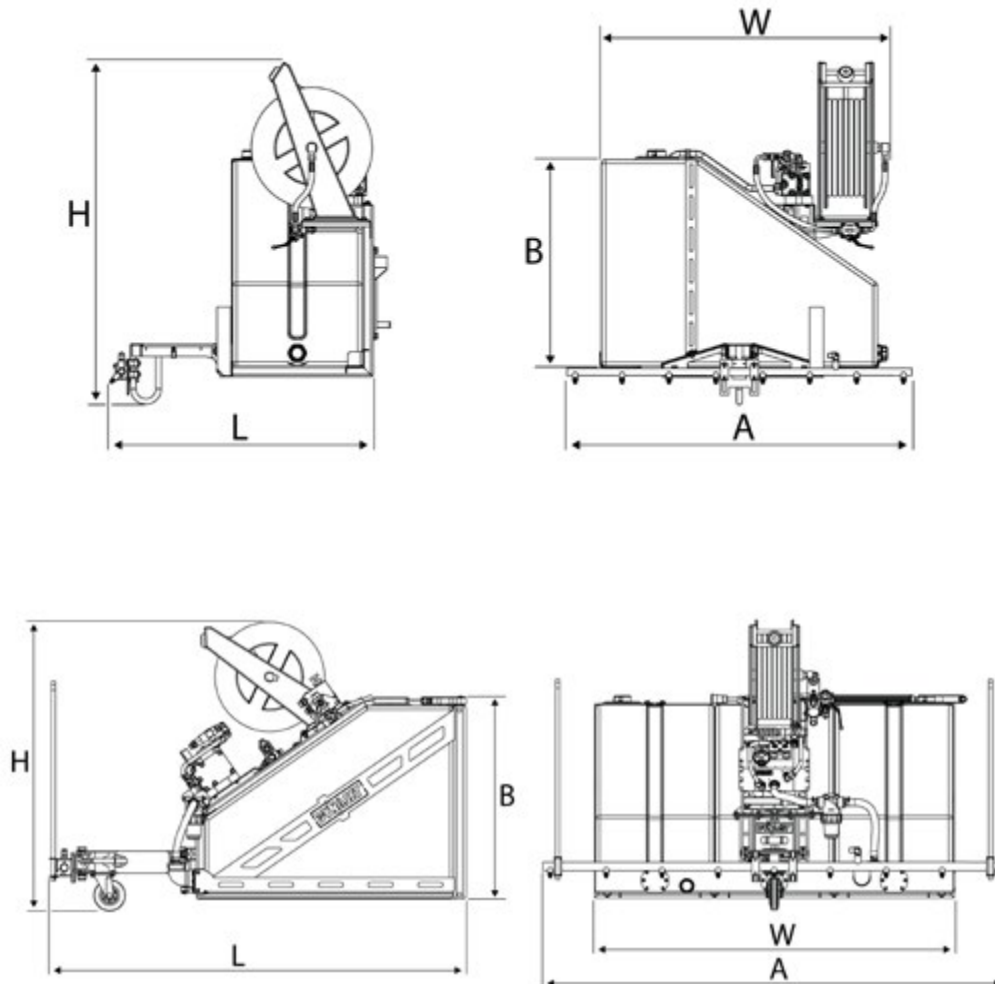
| MODEL | MAIN COMPONENTS | | | | | | |
|----------------------------|--------------------|-----------|--------------|--------|-----------|----------------|-----------|
| | WASHING PIPE FRAME | PUMP UNIT | WATER FILTER | VALVES | CONTAINER | WASHING PISTOL | HOSE REEL |
| KPL Basic | x | x | x | x | x | x | x |
| KPL F | x | | | | | | |
| KPL F* Pump unit | | x | x | x | | | |
| KPL F* Washing Pistol unit | | | | | | x | x |
| KPL R | | x | x | x | x | x | x |
| KPL TRUCK | x | x | x | x | | x | x |



HIGH PRESSURE STREET WASHING UNITS

DATA SHEET

DIMENSIONS KPL

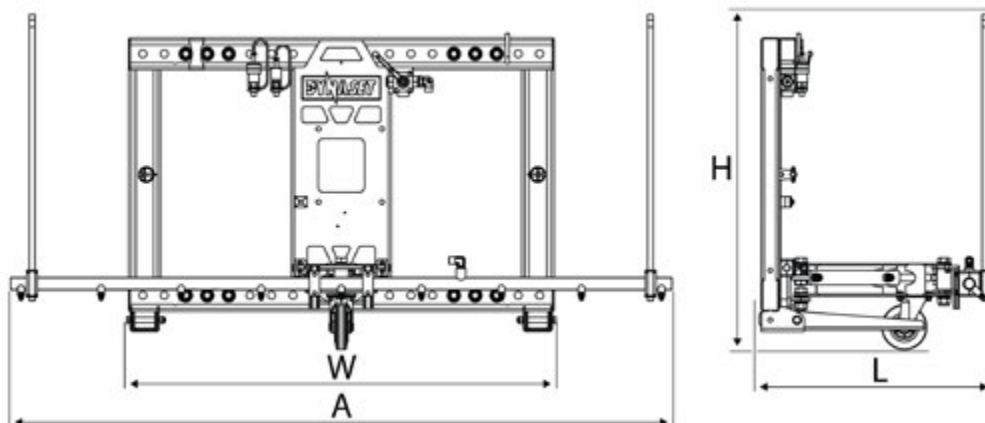


| MODEL | DIMENSIONS, mm (in) | | | | | WEIGHT* |
|------------|---------------------|-------------|-------------|-------------|------------|-----------|
| | L | W | H | A | B | |
| KPL S 250 | 960 (37.8) | 1042 (41.0) | 1143 (45.0) | 1250 (49.2) | 880 (34.7) | 80 (176) |
| KPL M 250 | 1655 (65.2) | 960 (37.8) | 1100 (43.3) | 1650 (65.0) | 945 (37.2) | 212 (467) |
| KPL L 250 | 1655 (65.2) | 1438 (56.6) | 1100 (43.3) | 1650 (65.0) | 945 (37.2) | 215 (473) |
| KPL L 220 | 1655 (65.2) | 1438 (56.6) | 1100 (43.3) | 1850 (72.8) | 945 (37.2) | 225 (496) |
| KPL XL 220 | 1655 (65.2) | 1916 (75.4) | 1100 (43.3) | 2200 (86.6) | 945 (37.2) | 302 (666) |
| KPL XL 180 | 1655 (65.2) | 1916 (75.4) | 1100 (43.3) | 2200 (86.6) | 945 (37.2) | 312 (688) |

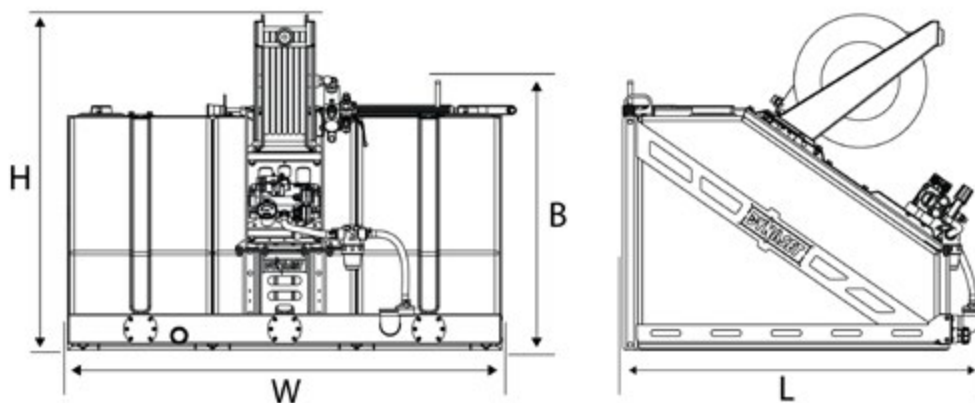
*Weights are without quick attachments

DIMENSIONS KPL-F/R

F



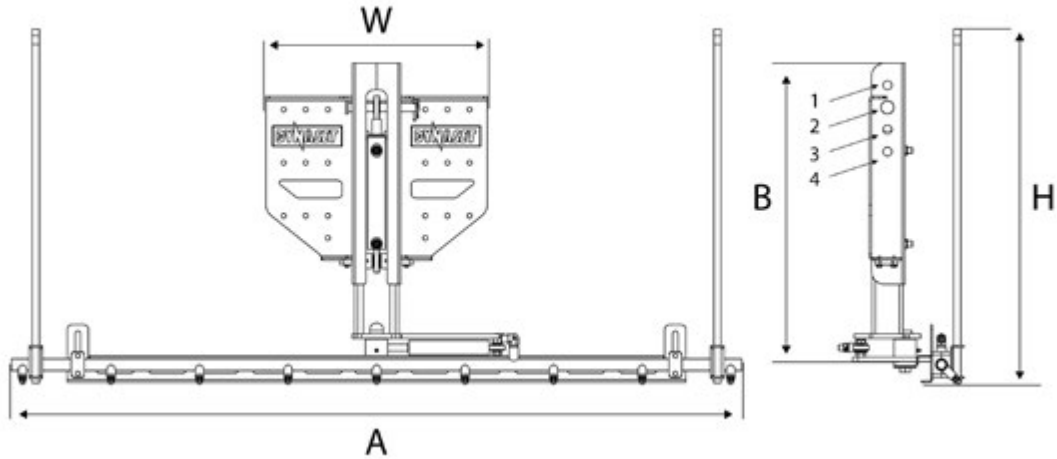
R



| MODEL | DIMENSIONS, mm (in) | | | | | WEIGHT* |
|---------------------|---------------------|--------------|-------------|--------------|-------------|-----------|
| | L | W | H | A | B | kg (lbs) |
| KPL F 1650x9x6501 | 624 (24.56) | 1201 (47.28) | 870 (34.25) | 1650 (64.96) | - | 80 (176) |
| KPL F 2200x10x65015 | 641 (25.23) | 1201 (47.28) | 870 (34.25) | 2200 (86.61) | - | 85 (187) |
| KPL F 1850x9x65015 | 641 (25.23) | 1201 (47.28) | 870 (34.25) | 1850 (72.83) | - | 82 (1180) |
| KPL F 2200x10x6503 | 641 (25.23) | 1201 (47.28) | 870 (34.25) | 2200 (86.61) | - | 85 (187) |
| KPL R M 250 | 1199 (47.20) | 960 (37.79) | 1111(43.74) | 960 (37.8) | 885 (34.84) | 212 (467) |
| KPL R L 250 | 1199 (47.20) | 1438 (56.61) | 1111(43.74) | 1438 (56.6) | 891 (35.07) | 215 (473) |
| KPL R XL 250 | 1199 (47.20) | 1916 (75.43) | 1111(43.74) | 1916 (75.4) | 891 (35.07) | 292 (643) |
| KPL R L 220 | 1199 (47.20) | 1438 (56.61) | 1111(43.74) | 1438 (56.6) | 891 (35.07) | 225 (496) |
| KPL R XL 220 | 1199 (47.20) | 1916 (75.43) | 1111(43.74) | 1916 (75.4) | 891 (35.07) | 302 (666) |
| KPL R XL 180 | 1199 (47.20) | 1916 (75.43) | 1111(43.74) | 1916 (75.4) | 891 (35.07) | 312 (688) |

* Weights are without quick attachments

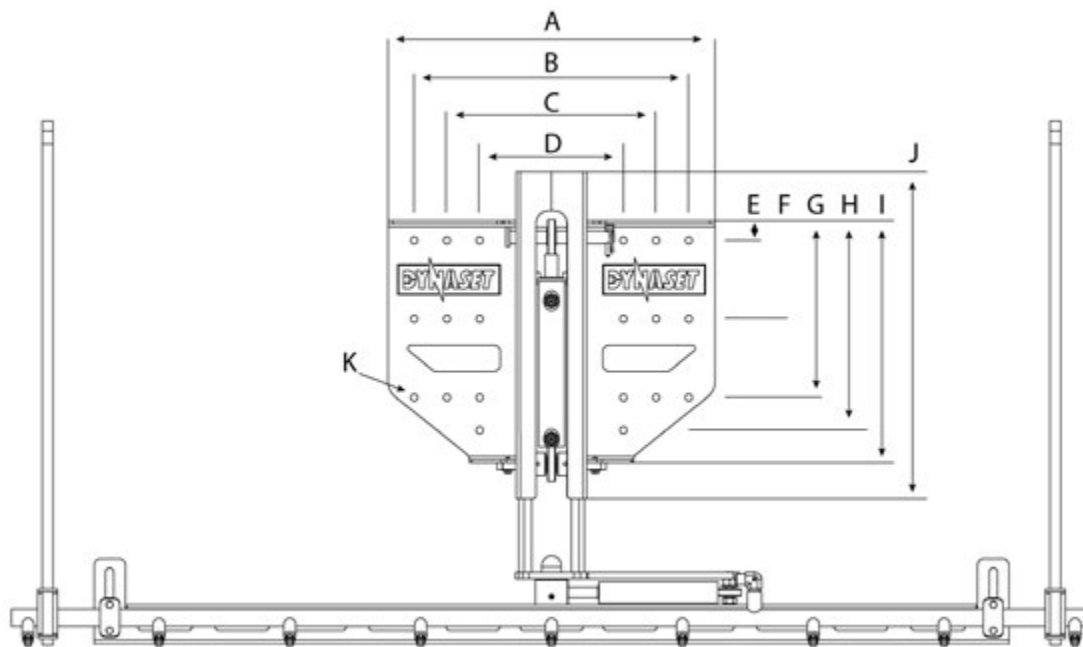
DIMENSIONS KPL-TRUCK



| MODEL | DIMENSIONS, mm (in) | | | WEIGHT |
|-----------------------|---------------------|-------------|--------------|----------|
| | W | H | A | kg (lbs) |
| KPL-TRUCK-250-1650x9 | 500 (19.68) | 500 (19.68) | 1650 (64.96) | 80 (176) |
| KPL-TRUCK-220-2200x10 | 500 (19.68) | 500 (19.68) | 2200 (86.61) | 85 (187) |
| KPL-TRUCK-90-2200x10 | 500 (19.68) | 500 (19.68) | 2200 (86.61) | 85 (187) |
| KPL-TRUCK-180-2200x10 | 500 (19.68) | 500 (19.68) | 2200 (86.61) | 85 (187) |

| MODEL | B = WORKING POSITION, MIN-MAX, MM (IN) | | | |
|-----------|--|--------------------------|--------------------------|--------------------------|
| | 1 | 2 | 3 | 4 |
| KPL TRUCK | 567-737 (22.32-29.01) | 617-787 (24.29-30.98) | 667-837 (26.25-32.95) | 717-887 (28.22-34.92) |

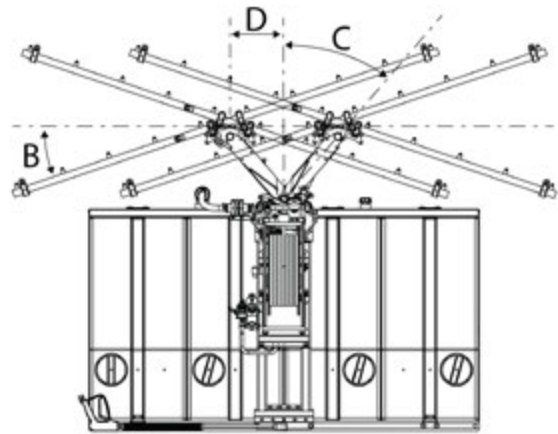
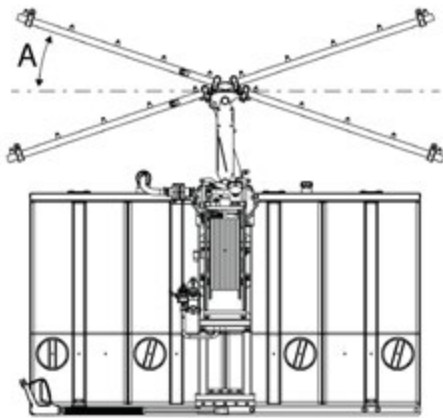
| MODEL | HYDRAULIC PORTS |
|-----------|-----------------|
| KPL TRUCK | G 1/4" 60° Male |



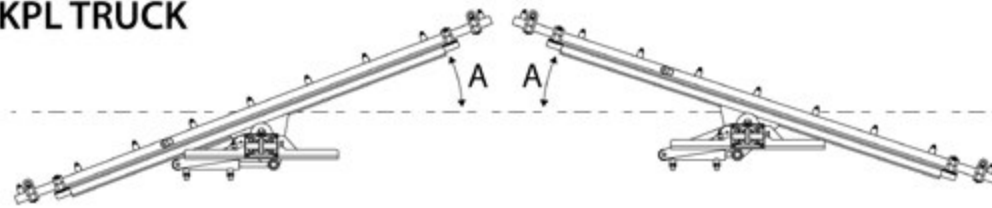
| MODEL | DIMENSIONS, mm (in) | | | | | | | | | | |
|-----------|---------------------|----------------|----------------|---------------|--------------|---------------|----------------|----------------|----------------|----------------|--------------|
| | A | B | C | D | E | F | G | H | I | J | K |
| KPL TRUCK | 500 (19.68) | 420 (16.53) | 320 (12.59) | 220 (8.66) | 30 (1.18) | 150 (5.90) | 270 (10.62) | 320 (12.59) | 370 (14.56) | 500 (19.68) | 11 (0.43) |

TURNING DIMENSIONS

KPL / KPL - F / KPL - R

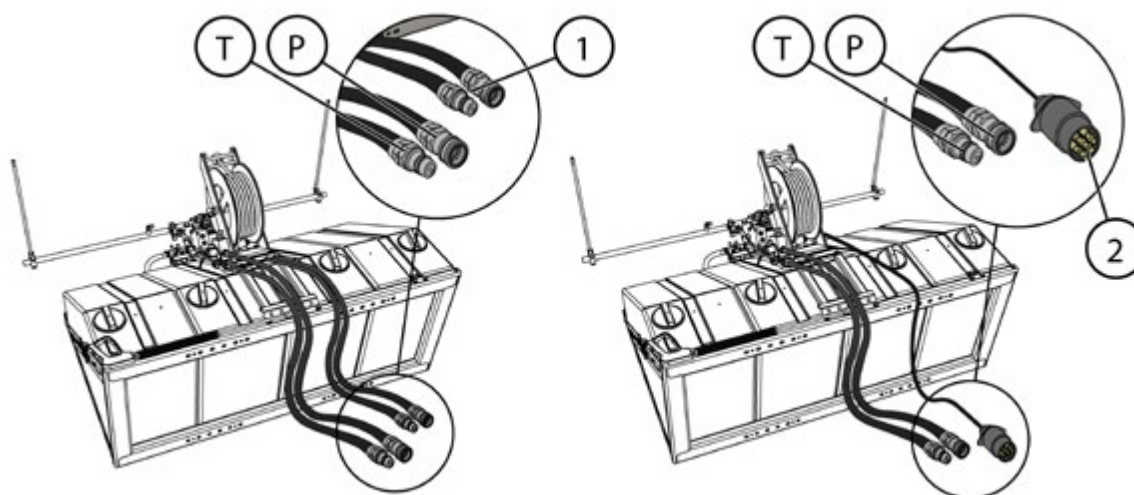


KPL TRUCK



| MODEL | DIMENSIONS, mm (in) | | | |
|---------------------|---------------------|-----|-----|------------|
| | A | B | C | D |
| KPL S 250 | 38° | - | - | - |
| KPL M 250 | 20° | 20° | 41° | 261 (10.3) |
| KPL L 250 | 20° | 20° | 41° | 261 (10.3) |
| KPL L 220 | 20° | 20° | 41° | 261 (10.3) |
| KPL XL 220 | 20° | 20° | 41° | 261 (10.3) |
| KPL XL 180 | 20° | 20° | 41° | 261 (10.3) |
| KPL F 1650x9x6501 | 20° | 20° | 41° | 261 (10.3) |
| KPL F 2200x10x65015 | 20° | 20° | 41° | 261 (10.3) |
| KPL F 1850x9x65015 | 20° | 20° | 41° | 261 (10.3) |
| KPL F 2200x10x6503 | 20° | 20° | 41° | 261 (10.3) |

HOSE CONNECTIONS



| MODEL | PRESSURE LINE | RETURN LINE | TURNING DEVICE CONTROL | |
|---------------------|----------------|----------------|------------------------|--------------|
| | P | T | HYDRAULIC (1) | ELECTRIC (2) |
| KPL S 250 | 1/2" ISO - A | 1/2" ISO - A | - | - |
| KPL M 250 | 1/2" ISO - A | 1/2" ISO - A | 1/2" ISO - A | ISO 1724 |
| KPL L 250 | 1/2" ISO - A | 1/2" ISO - A | 1/2" ISO - A | ISO 1724 |
| KPL L 220 | 3/4" TEMA 7500 | 3/4" TEMA 7500 | 1/2" ISO - A | ISO 1724 |
| KPL XL 220 | 3/4" TEMA 7500 | 3/4" TEMA 7500 | 1/2" ISO - A | ISO 1724 |
| KPL XL 180 | 3/4" TEMA 7500 | 3/4" TEMA 7500 | 1/2" ISO - A | ISO 1724 |
| KPL F 1650x9x6501 | - | - | 1/2" ISO - A | - |
| KPL F 2200x10x65015 | - | - | 1/2" ISO - A | - |
| KPL F 1850x9x65015 | - | - | 1/2" ISO - A | - |
| KPL F 2200x10x6503 | - | - | 1/2" ISO - A | - |
| KPL F HPW250 | 1/2" ISO - A | 1/2" ISO - A | - | - |
| KPL F HPW220 | 3/4" TEMA 7500 | 3/4" TEMA 7500 | - | - |
| KPL F HPW90 | 3/4" TEMA 7500 | 3/4" TEMA 7500 | - | - |
| KPL F HPW180 | 3/4" TEMA 7500 | 3/4" TEMA 7500 | - | - |
| KPL R M 250 | 1/2" ISO - A | 1/2" ISO - A | - | - |
| KPL R L 250 | 1/2" ISO - A | 1/2" ISO - A | - | - |
| KPL R XL 250 | 1/2" ISO - A | 1/2" ISO - A | - | - |
| KPL R L 220 | 3/4" TEMA 7500 | 3/4" TEMA 7500 | - | - |
| KPL R XL 220 | 3/4" TEMA 7500 | 3/4" TEMA 7500 | - | - |
| KPL R XL 180 | 3/4" TEMA 7500 | 3/4" TEMA 7500 | - | - |

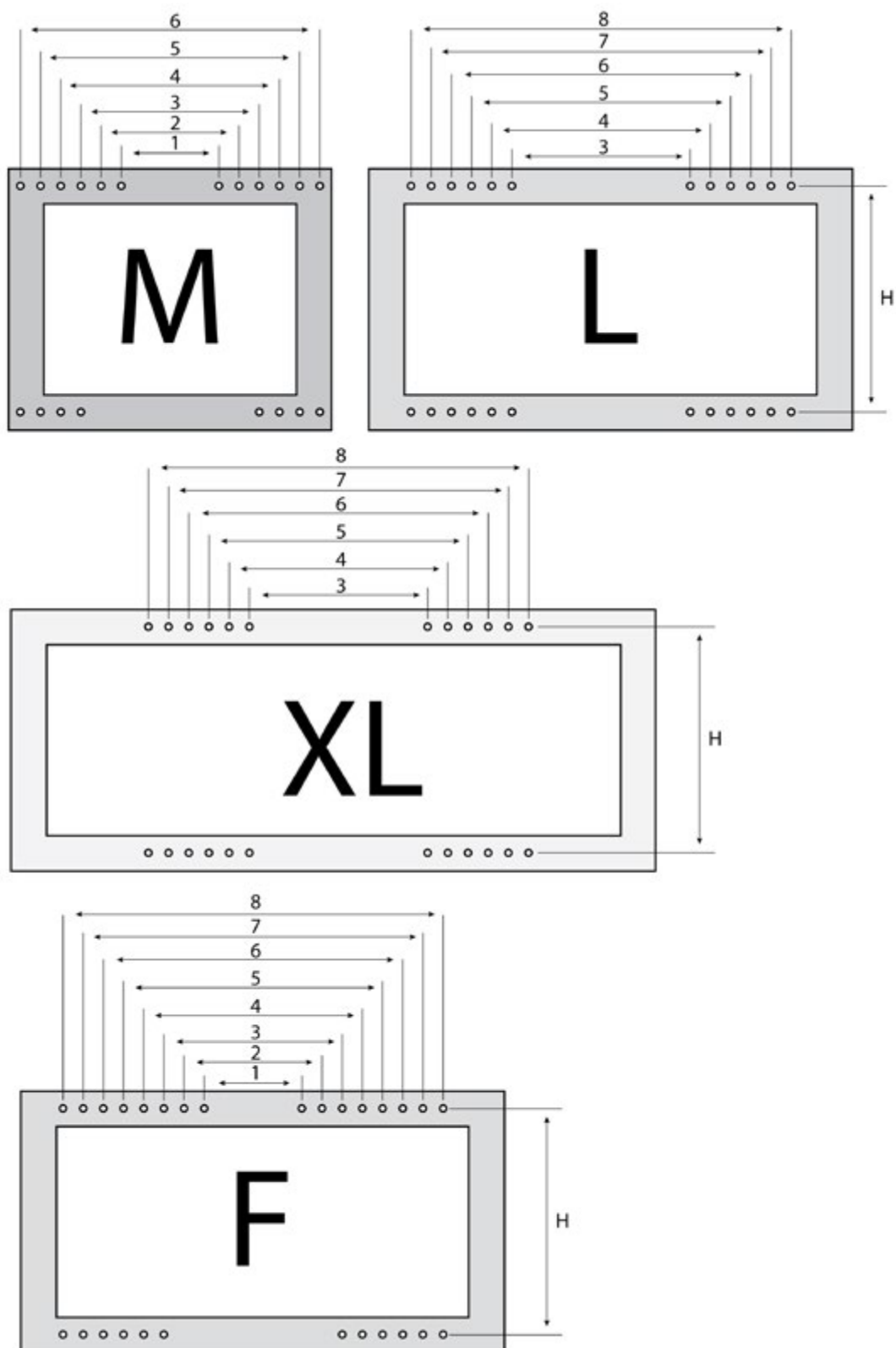
QUICK ATTACHMENT



| ATTACHMENT TYPE | | | | | BOLT DISTANCE, mm (in) | |
|---------------------------|-----|-------------|---|-------|------------------------|------------|
| KPL MODEL | KPL | KPL / KPL-R | | KPL-F | | |
| KPL FRAME SIZE | S | M | L | XL | - | X |
| 3-Point Hitch - Cat. 1 | X | X | X | X | X | 510 (20.1) |
| 3-Point Hitch - Cat. 2 | X | X | X | X | X | 510 (20.1) |
| Atlas AR 40-80 | - | A | X | X | X | 870 (34.3) |
| Avant / Agromatic | X | X | X | X | X | 510 (20.1) |
| Bobcat | X | X | X | X | X | 630 (24.8) |
| EURO | X | A | X | X | X | 750 (29.5) |
| Forklift Adapter | - | X | X | X | X | 630 (24.8) |
| Giant | - | X | X | X | X | 510 (20.1) |
| Isme | - | X | X | X | X | 510 (20.1) |
| JCB 406-409 - Zettlemeyer | - | A | X | X | X | 750 (29.5) |
| Kramer 180-350 | - | X | - | - | X | 270 (10.6) |
| Kramer 380-580 | - | A | X | X | X | 750 (29.5) |
| Kunta 500 | - | A | X | X | X | 870 (34.3) |
| Manitou | - | X | X | X | X | 630 (24.8) |
| Merlo ZM1-2 | - | X | X | X | X | 630 (24.8) |
| MP-Lift / Trima | - | X | X | X | X | 510 (20.1) |
| Valtra | - | A | X | X | X | 870 (34.3) |
| Volvo BM | - | A | X | X | X | 870 (34.3) |
| Volvo L20-L25 | - | X | X | X | X | 510 (20.1) |
| Volvo TPZ | - | A | X | X | X | 870 (34.3) |
| Wiedemann | X | X | X | X | X | 510 (20.1) |
| Wiedemann 4070 | - | X | X | X | X | 750 (29.5) |

A = with adapter

QUICK ATTACHMENT FASTENING POINTS



| BOLT DISTANCE, mm (in) | | | | | | | | |
|------------------------|---------------|---------------|---------------|---------------|---------------|---------------|----------------|---------------|
| 1 | 2 | 3 | 4 | 5 | 6 | 7 | 8 | H |
| 270 (10.6) | 390 (15.3) | 510 (20.1) | 630 (24.8) | 750 (29.5) | 870 (34.2) | 990 (39.0) | 1110 (43.7) | 675 (26.6) |

| OVERALL DIMENSIONS, mm (in) | | | | |
|-----------------------------|------------|-------------|-------------|-------------|
| MODEL | M | L | XL | F |
| A | 960 (37.8) | 1438 (56.6) | 1916 (75.4) | 1190 (46.9) |
| B | 775 (30.5) | 775 (30.5) | 775 (30.5) | 765 (30.1) |

TECHNICAL SPECIFICATIONS

BASIC KPL MODELS

| | | KPL S 250 | KPL M 250 | KPL L 250 | KPL L 220 | KPL XL 220 | KPL XL 180 |
|---|----------------|------------------------|-----------------|-----------------|-----------------|------------------|------------------|
| WATER POWER | | | | | | | |
| Water output max. | l/min (gpm) | 30 (7.92) | 30 (7.92) | 30 (7.92) | 50 (13.20) | 50 (13.20) | 90 (23.78) |
| Pressure max. | bar (psi) | 250 (3600) | 250 (3600) | 250 (3600) | 220 (3191) | 220 (3191) | 180 (2611) |
| Working width | cm (in) | 150 (59.1) | 180 (70.9) | 180 (70.9) | 200 (78.7) | 250 (98.4) | 250 (98.4) |
| Water tank | l (gal) | 270 (71.32) | 540 (142.65) | 810 (213.98) | 810 (213.98) | 1080 (285.30) | 1080 (285.30) |
| Water filter size | | R3/4" | R3/4" | R3/4" | R1" | R1" | R1 1/4" |
| Water filter mesh | | 80 or better | | | | | |
| WASHING PIPE | | | | | | | |
| Turning device control (M) Manual / (H) Hydraulic / (E) Electric * | | M | H / E | H / E | H / E | H / E | H / E |
| Washing pipe width | mm (in) | 1250 (49.2) | 1650 (65.0) | 1650 (65.0) | 1850 (72.8) | 2200 (86.6) | 2200 (86.6) |
| Washing nozzles | | 8 | 9 | 9 | 9 | 10 | 10 |
| WATER PISTOL | | | | | | | |
| Water pistol hose diameter | | 3/8" | | | | | |
| Water pistol hose length | m (feet) | 20m (65.6) | | | | | |
| Water pistol | | ST2300-SW-800-2508 | | | | | |
| HYDRAULIC POWER REQUIREMENTS | | | | | | | |
| Oil flow max. | l/min (gpm) | 40 (10.56) | 40 (10.56) | 40 (10.56) | 70 (18.49) | 70 (18.49) | 115 (30.38) |
| Pressure max. | bar (psi) | 210 (3046) | | | | | |
| HYDRAULIC FLUID REQUIREMENTS | | | | | | | |
| Viscosity | cSt | 10-200 / optimum 25-35 | | | | | |
| Temperature ** | ° C (° F) | max. 70 (158) | | | | | |
| Filter ratio | µm | 25 or better | | | | | |
| Cooling capacity requirement | kW | 2 | 2 | 2 | 3 | 3 | 6 |

Gallons are U.S. liquid gallons

* Electric turning device control available in 12VDC and 24VDC

** Depending on hydraulic fluid.

KPL-F

| | KPL-F- 1650x9x 6501 | KPL-F- 2200x10x 65015 | KPL-F- 1850x9x 65015 | KPL-F- 2200x10x 6503 |
|-----------------------------------|---------------------------|-----------------------------|----------------------------|----------------------------|
| WATER POWER | | | | |
| Suitable KPL-F pump units* | HPW250 | HPW220 | HPW180 | HPW90 |
| WASHING PIPE | | | | |
| Turning device control | Hydraulic | Hydraulic | Hydraulic | Hydraulic |
| Washing pipe width mm (in) | 1650 (65.0) | 2200 (86.6) | 1850 (72.8) | 2200 (86.6) |
| Washing nozzles | 9 | 10 | 9 | 10 |
| WATER PISTOL | | | | |
| Water pistol hose diameter | 3/8" | | | |
| Water pistol hose length m (feet) | 20m (65.6) | | | |
| Water pistol | ST2300-SW-800-2508 | | | |

KPL-F OPTIONAL PUMP UNITS

| | | KPL F HPW250 | KPL F HPW220 | KPL F HPW90 | KPL F HPW180 |
|-------------------------------------|--|------------------------|-----------------|----------------|-----------------|
| WATER POWER | | | | | |
| Water output max. l/min (gpm) | | 30 (7.92) | 50 (13.20) | 150 (39.6) | 90 (23.78) |
| Pressure max. bar (psi) | | 250 (3600) | 220 (3191) | 90 (1300) | 180 (2611) |
| Water filter size | | R3/4" | R1" | R1 1/2" | R1 1/4" |
| Water filter mesh | | 80 or better | | | |
| WATER PISTOL | | | | | |
| Water pistol hose diameter | | 3/8" | | | |
| Water pistol hose length m (feet) | | 20m (65.6) | | | |
| Water pistol | | ST2300-SW-800-2508 | | | |
| HYDRAULIC POWER REQUIREMENTS | | | | | |
| Oil flow max. l/min (gpm) | | 40 (10.56) | 70 (18.49) | 85 (22.5) | 115 (30.38) |
| Pressure max. bar (psi) | | 210 (3046) | | | |
| HYDRAULIC FLUID REQUIREMENTS | | | | | |
| Viscosity cSt | | 10-200 / optimum 25-35 | | | |
| Temperature ** °C (°F) | | max. 70 (158) | | | |
| Filter ratio µm | | 25 or better | | | |
| Cooling capacity requirement kW | | 2 | 2 | 4 | 6 |

Gallons are U.S. liquid gallons

* Check the KPL-F Pump setup choices on next table.

** Depending on hydraulic fluid.

KPL-R

| | | KPL-R-M-250 | KPL-R-L-250 | KPL-R-XL-250 | KPL-R-L-220 | KPL-R-XL-220 | KPL-R-XL-90 | KPL-R-XL-180 |
|-------------------------------------|-------------|------------------------|--------------|--------------|--------------|---------------|---------------|---------------|
| WATER POWER | | | | | | | | |
| Water output max. | l/min (gpm) | 30 (7.92) | 30 (7.92) | 30 (7.92) | 50 (13.20) | 50 (13.20) | 150 (39.6) | 90 (23.78) |
| Pressure max. | bar (psi) | 200 (2900) | 200 (2900) | 200 (2900) | 220 (3191) | 220 (3191) | 90 (1300) | 180 (2611) |
| Water tank | l (gal) | 270 (71.32) | 540 (142.65) | 810 (213.98) | 810 (213.98) | 1080 (285.30) | 1080 (285.30) | 1080 (285.30) |
| Water filter size | | R3/4" | R3/4" | R3/4" | R1" | R1" | R1 1/2" | R1 1/4" |
| Water filter mesh | | 80 or better | | | | | | |
| WATER PISTOL | | | | | | | | |
| Water pistol hose diameter | | 3/8" | | | | | | |
| Water pistol hose length | m (feet) | 20m (65.6) | | | | | | |
| Water pistol | | ST2300-SW-800-2508 | | | | | | |
| HYDRAULIC POWER REQUIREMENTS | | | | | | | | |
| Oil flow max. | l/min (gpm) | 40 (10.56) | 40 (10.56) | 40 (10.56) | 70 (18.49) | 70 (18.49) | 85 (22.5) | 115 (30.38) |
| Pressure max. | bar (psi) | 210 (3046) | | | | | | |
| HYDRAULIC FLUID REQUIREMENTS | | | | | | | | |
| Viscosity | cSt | 10-200 / optimum 25-35 | | | | | | |
| Temperature * | °C (°F) | max. 70 (158) | | | | | | |
| Filter ratio | µm | 25 or better | | | | | | |
| Cooling capacity requirement | kW | 2 | 2 | 2 | 3 | 3 | 4 | 6 |

Gallons are U.S. liquid gallons

* Depending on hydraulic fluid.

KPL-TRUCK

| | | KPL-TRUCK 250 - 1650x9 | KPL-TRUCK 220 - 2200x10 | KPL-TRUCK 90- 2200x10 | KPL-TRUCK 180 - 2200x10 |
|-------------------------------------|----------------|------------------------------|-------------------------------|-----------------------------|-------------------------------|
| WATER POWER | | | | | |
| Water output max. | l/min (gpm) | 30 (7.92) | 50 (13.20) | 150 (39.6) | 90 (23.78) |
| Pressure max. | bar (psi) | 250 (3600) | 220 (3191) | 90 (1300) | 180 (2611) |
| Working width | cm (in) | 180 (70.9) | 250 (98.4) | 250 (98.4) | 250 (98.4) |
| Water filter size | | R3/4" | R1" | R1 1/2" | R1 1/4" |
| Water filter mesh | | 80 or better | | | |
| WASHING PIPE | | | | | |
| Turning device control | | Hydraulic | Hydraulic | Hydraulic | Hydraulic |
| Washing pipe width | mm (in) | 1650 (64.96) | 2200 (86.61) | 2200 (86.61) | 2200 (86.61) |
| Washing nozzles | | 9 | 10 | 10 | 10 |
| WATER PISTOL | | | | | |
| Water pistol hose diameter | | 3/8" | | | |
| Water pistol hose length | m (feet) | 20m (65.6) | | | |
| Water pistol | | ST2300-SW-800-2508 | | | |
| HYDRAULIC POWER REQUIREMENTS | | | | | |
| Oil flow max. | l/min (gpm) | 40 (10.56) | 70 (18.5) | 85 (22.5) | 115 (30.4) |
| Pressure max. | bar (psi) | 210 (3046) | | | |
| HYDRAULIC FLUID REQUIREMENTS | | | | | |
| Viscosity | cSt | 10-200 / optimum 25-35 | | | |
| Temperature * | °C (°F) | max. 70 (158) | | | |
| Filter ratio | µm | 25 or better | | | |
| Cooling capacity requirement | kW | 2 | 3 | 4 | 6 |

Gallons are U.S. liquid gallons

** Depending on hydraulic fluid.



Menotie 3
FI-33470 Ylöjärvi, Finland
tel: +358 3 3488 200
info@dynaset.com



ELECTRICITY

HG Hydraulic Generator
HGV POWER BOX Variable Hydraulic Generator System
HGV Variable Hydraulic Generator System
HWG Hydraulic Welding Generator
HGG Hydraulic Ground Power Generator



HIGH PRESSURE WATER

HPW Hydraulic High Pressure Water Pump
HPW Hydraulic Power Washer
KPL High Pressure Street Washing Unit
HPW-DUST High Pressure Dust Suppression System
PPL High Pressure Pipe Cleaning Unit
HPW-FIRE High Pressure Firefighting System
FP Fire Fighting Piercing Kit
HDF Hydraulic Drilling Fluid Pump
JPL High Pressure Bin Washing System
HSP Hydraulic Submersible Pump



COMPRESSED AIR

HK Hydraulic Piston Compressor
HKL Hydraulic Rotary Vane Compressor
HKR Hydraulic Screw Compressor



MAGNET POWER

HMG PRO Hydraulic Magnet Generator
MAG Lift Magnet
HMAG PRO Hydraulic Magnet



VIBRATION

HVB Hydraulic Vibra
HVD Hydraulic Directional Vibra
HRC Hydraulic Reversal Cylinder



POWER BOOSTING

HPI Hydraulic Pressure Intensifier
HPI-C Hydraulic Pressure Intensifier for Cylinder



KNOW-HOW

Hydraulic Power Take-off (PTO)
Hydraulic Power Unit Technology
De-Icing Technology
Installation Valves
HHK Hydraulic Grinder
HV/HVY Hydraulic Winch / Winch Unit

www.dynaset.com

