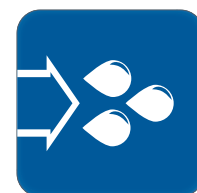


DATA SHEET

HSP Hydraulic Submersible Pumps



HSP900/5-36 HSP6500/5-85 HSP16000/5-184
HSP3000/5-48 HSP8500/5-135



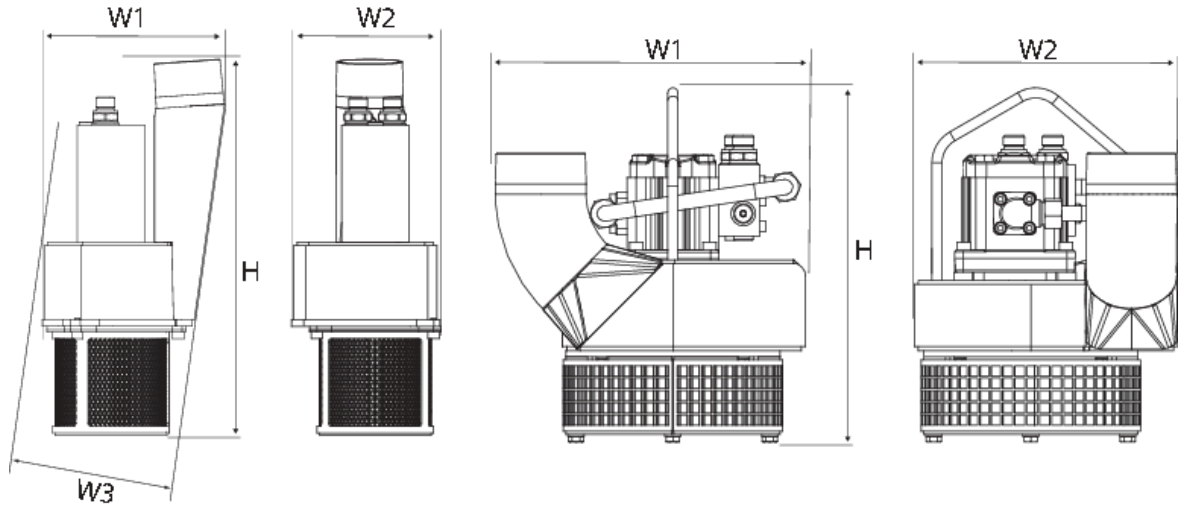


HSP HYDRAULIC SUBMERSIBLE PUMPS TABLE OF CONTENTS

v.2.4 03/2025 WNu

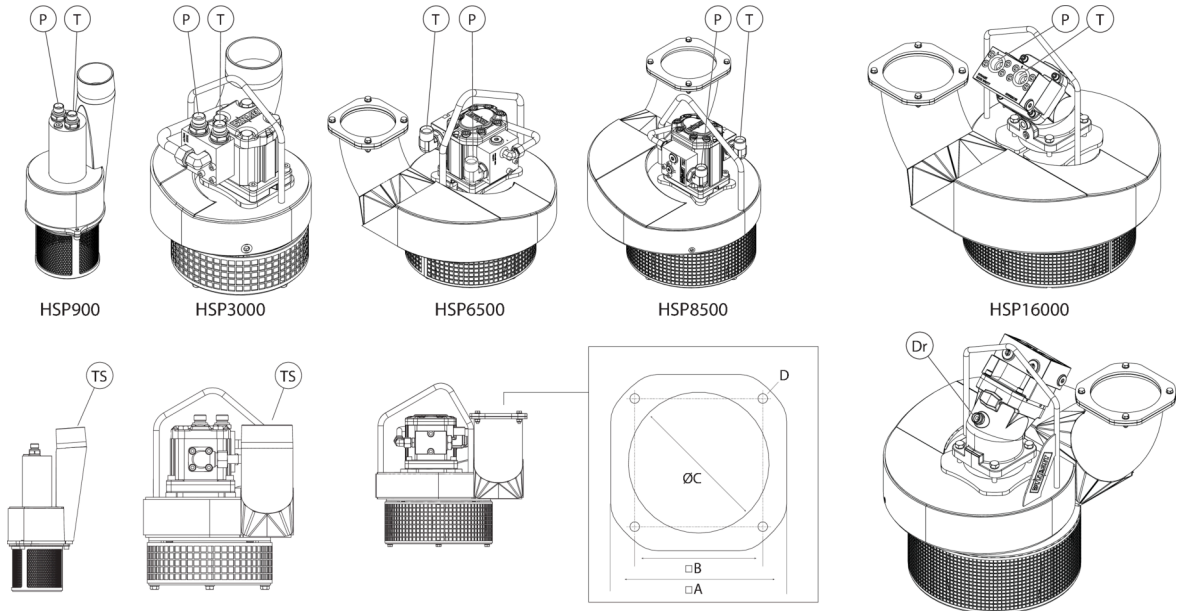
1. DIMENSIONS	4
2. CONNECTIONS	5
3. TECHNICAL SPECIFICATIONS	6

1. DIMENSIONS



Model	Dimensions, mm (in)				Weight
	W1	W2	W3	H	kg (lbs)
HSP900/5-36	162 (6.4)	133 (5.2)	141 (5.6)	335 (13.2)	5.2 (11)
HSP3000/5-48	304 (12.0)	257 (10.1)	()	347 (13.7)	10 (22)
HSP6500/5-85	477 (18.8)	436 (17.2)	()	471 (18.5)	39 (86)
HSP8500/5-135	572 (22.5)	527 (20.7)	()	525 (20.7)	51 (113)
HSP16000/5-184	741 (29.2)	689 (27.1)	()	759 (29.9)	137 (302)

2. CONNECTIONS



Model	Connections			Hose size, mm (in)		Connection flange, mm (in)			
	Pressure Line, P	Return Line, T	Thread size, TS	Drain Line, Dr	Drain line	A	B	C	D
HSP900/5-36	BSPP 3/8	BSPP 3/8	R2"	-	-	()	()	()	()
HSP3000/5-48	BSPP 1/2	BSPP 1/2	R3"	-	-	()	()	()	()
HSP6500/5-85	BSPP 3/4	BSPP 1	-"	-	-	165 (6.5)	120 (4.7)	132 (5.2)	9.5 (0.4)
HSP8500/5-135	BSPP 1	BSPP 1	-"	-	-	205 (8.1)	150 (5.9)	155 (6.1)	9.5 (0.4)
HSP16000/5-184	BSPP 1 1/4	BSPP 1 1/4	-"	L22-DIN 2353	19 (3/4)	225 (8.9)	205 (8.1)	180 (7.1)	16 (0.6)

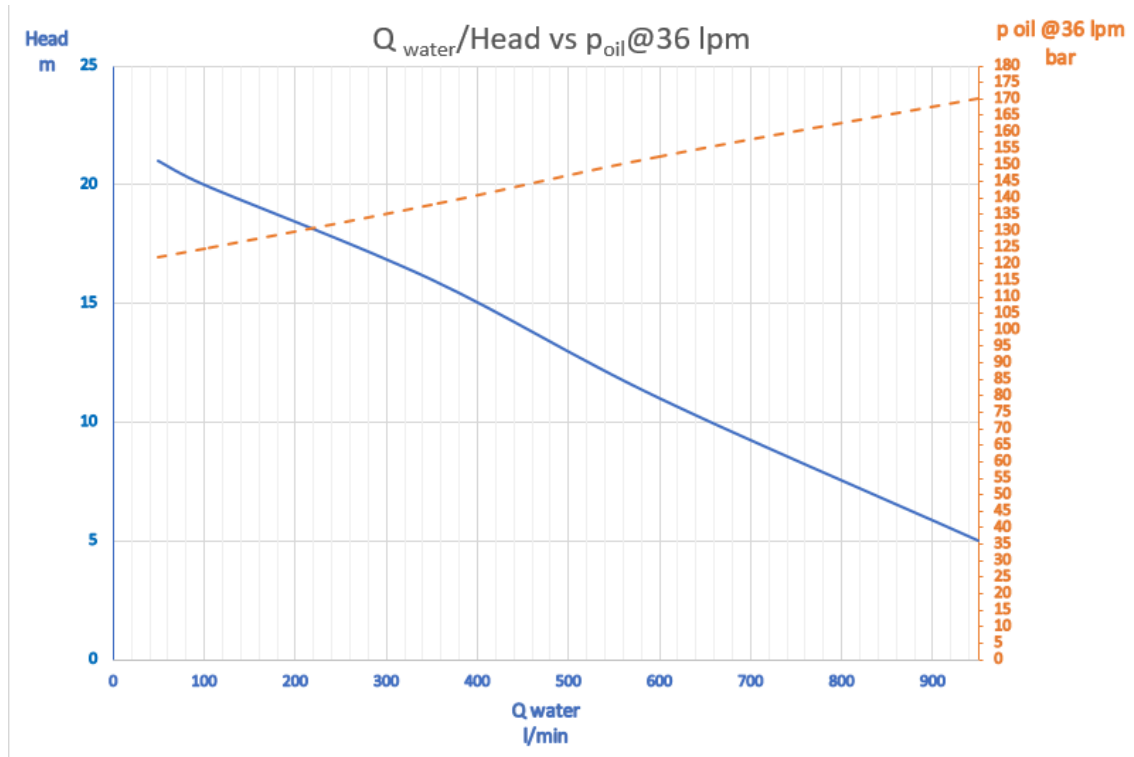
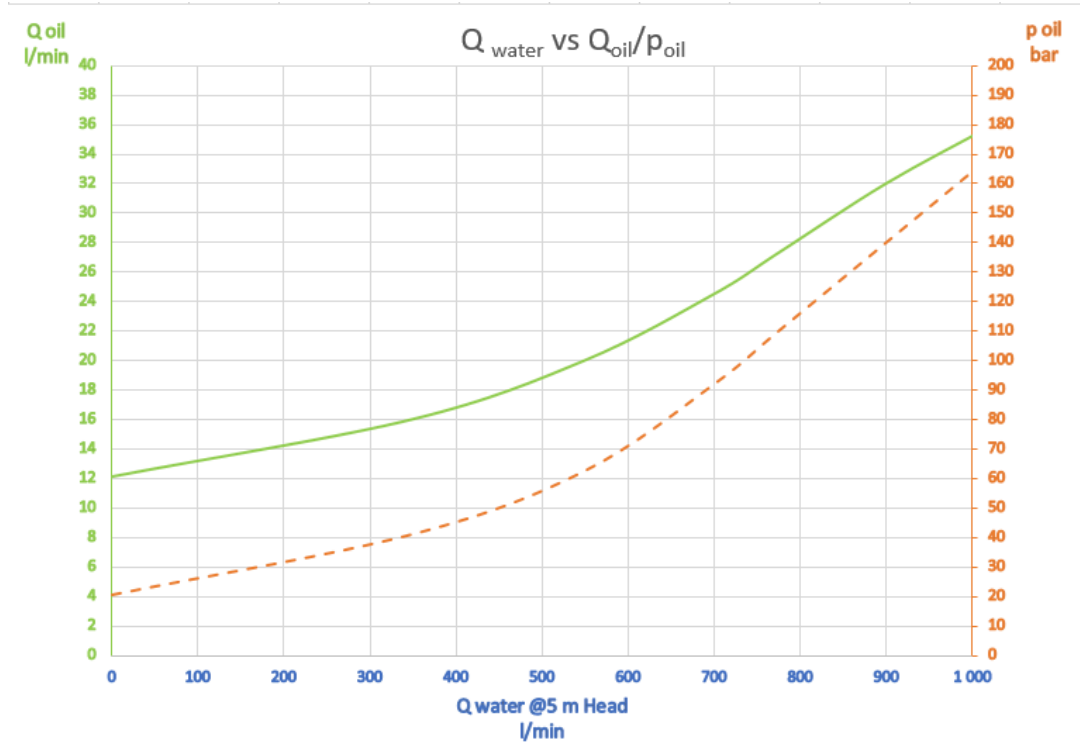


HSP HYDRAULIC SUBMERSIBLE PUMPS TECHNICAL SPECIFICATIONS

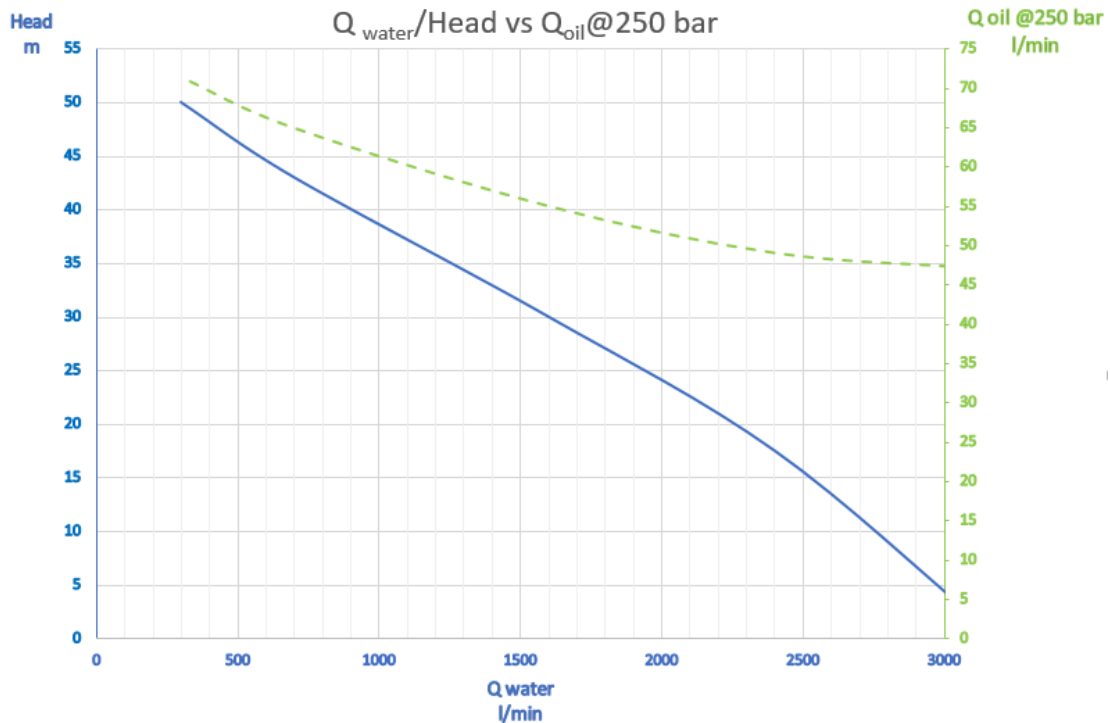
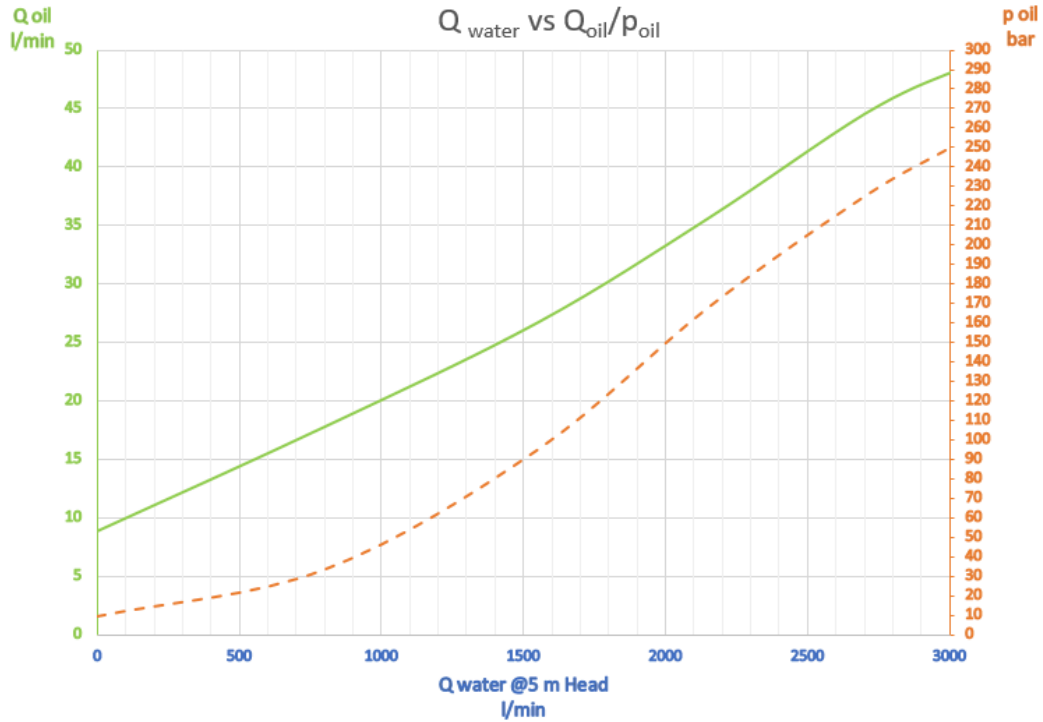
3. TECHNICAL SPECIFICATIONS

		HSP900/5-36	HSP3000/5-48	HSP6500/5-85	HSP8500/ 5-135	HSP16000/ 5-184
DISCHARGE CHARACTERISTICS						
Discharge at max. hyd. flow	l/min (gpm)	900 (237.78)	3'000 (792.60)	6'500 (1'717.31)	8'500 (2'245.71)	16'000 (4'227.21)
Discharge at standard head of 5m	l/min (gpm)	900 (237.78)	3'000 (792.60)	6'500 (1'717.31)	8'500 (2'245.71)	16'000 (4'227.21)
Discharge at max. head	l/min (gpm)	50 (13.21)	300 (79.26)	100 (26.42)	50 (13.21)	5'000 (1'321.00)
Pump head max.	m (ft)	21 (69)	50 (164)	50 (164)	40 (131)	30 (98)
Output connection**	in	R2"	R3"	5"	6"	8"
Water temperature max.	°C(°F)	50 (122)	50 (122)	50 (122)	50 (122)	50 (122)
HYDRAULIC POWER REQUIREMENTS						
Flow at max water discharge	l/min (gpm)	36 (9.51)	48 (12.68)	85 (22.46)	135 (35.67)	140 (36.99)
Flow at max water head	l/min (gpm)	36 (9.51)	70 (18.49)	135 (35.67)	215 (56.80)	190 (50.20)
Pressure max.	bar (psi)	170 (2'466)	250 (3'626)	250 (3'626)	230 (3'336)	400 (5'802)
Tank pressure max.	bar (psi)	30 (435)	30 (435)	30 (435)	30 (435)	30 (435)
Hydraulic Motor		gerotor	gear	gear	gear	axial piston
HYDRAULIC FLUID REQUIREMENTS						
Viscosity	cSt	10-200 / optimum 25-35	10-200 / optimum 25-35	10-200 / optimum 25-35	10-200 / optimum 25-35	10-200 / optimum 25-35
Temperature max.*	°C(°F)	70 (158)	70 (158)	70 (158)	70 (158)	70 (158)
Filter ratio	µm	25 >	25 >	25 >	25 >	25 >
Gallons are U.S. liquid gallons						
* Depending on hydraulic fluid.						
**HSP 900 & 3000 are threaded, 6500, 8500 & 16000 are flanged						

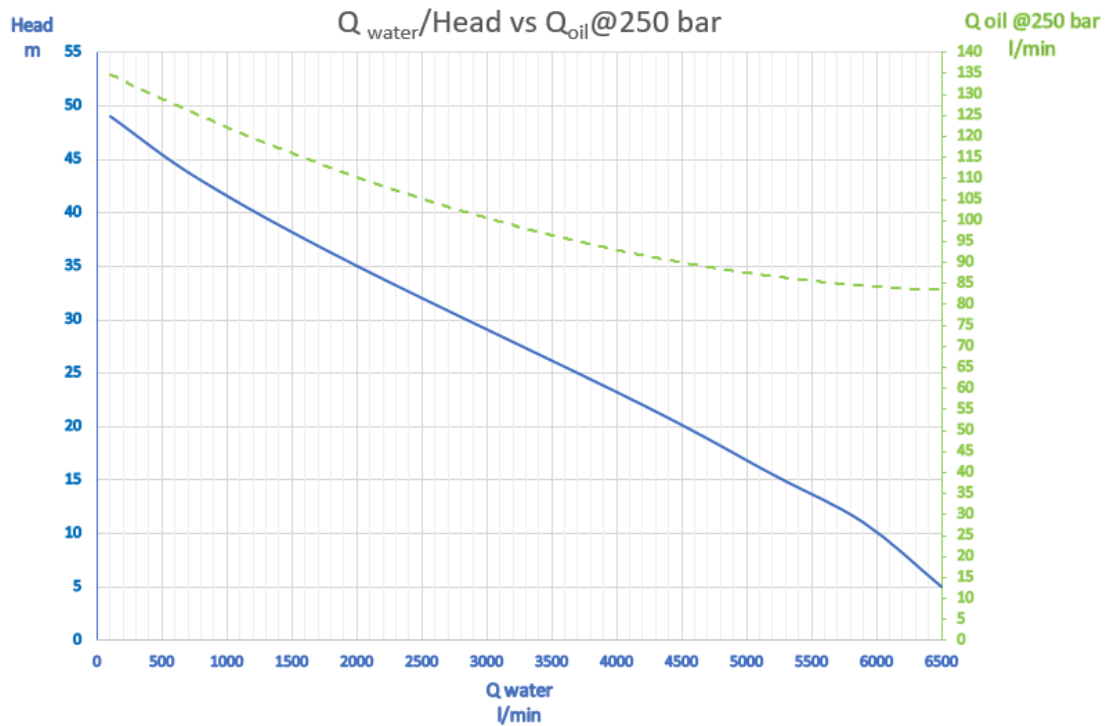
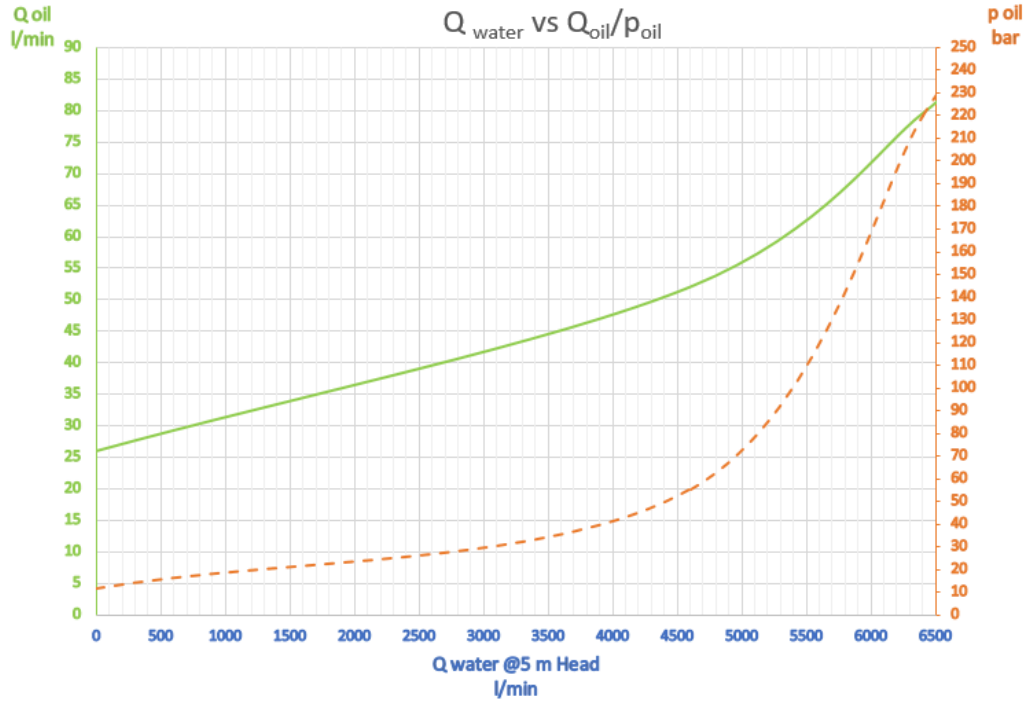
HSP 900



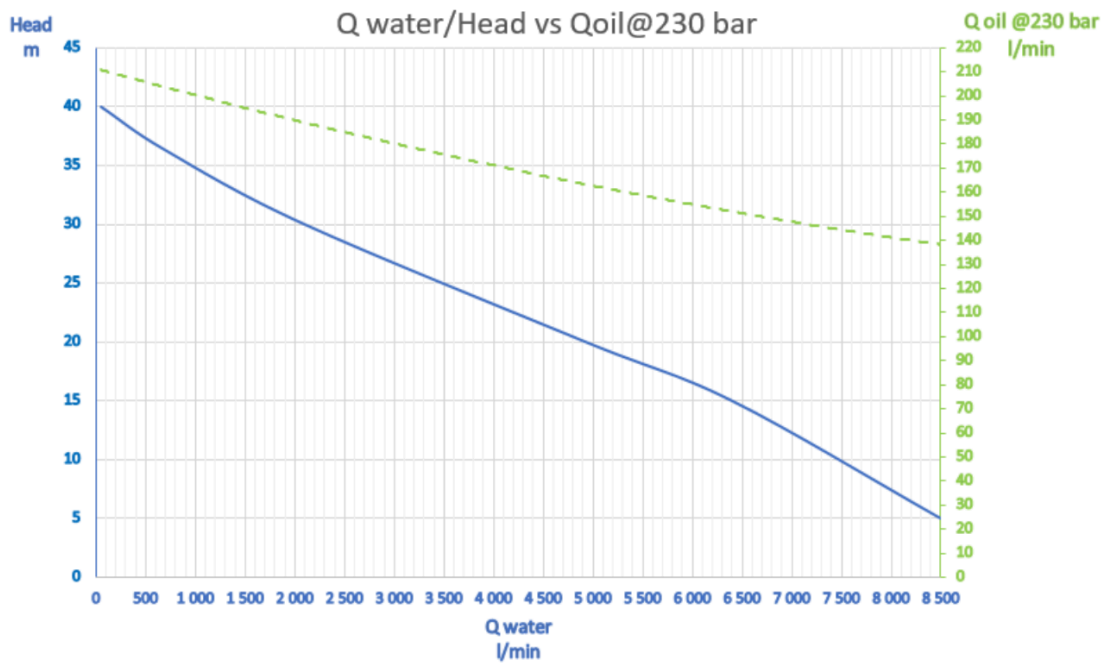
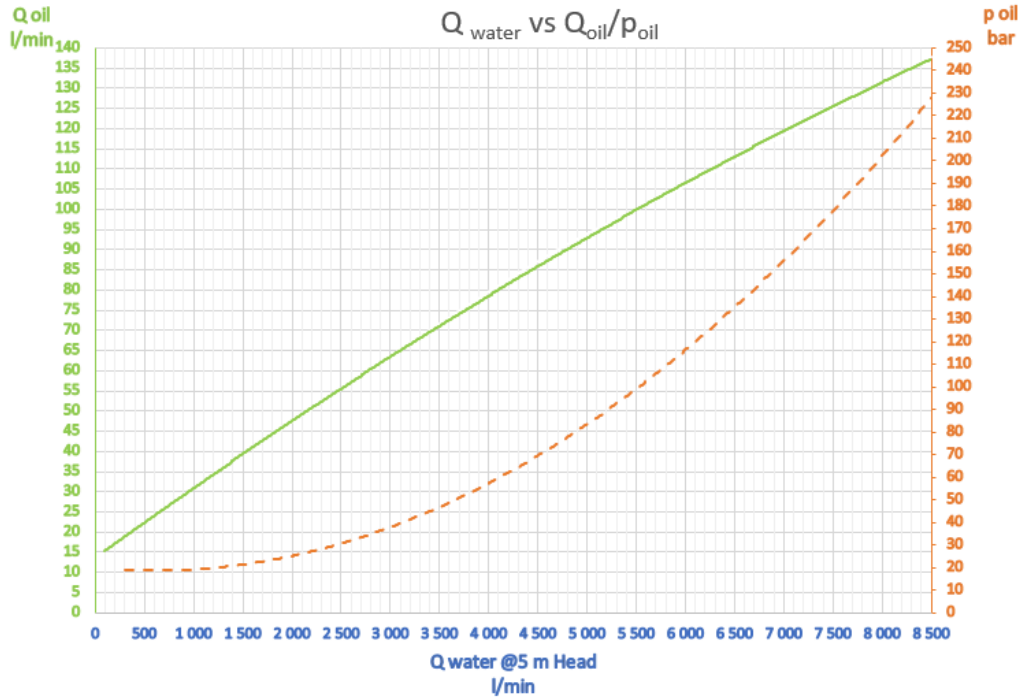
HSP 3000



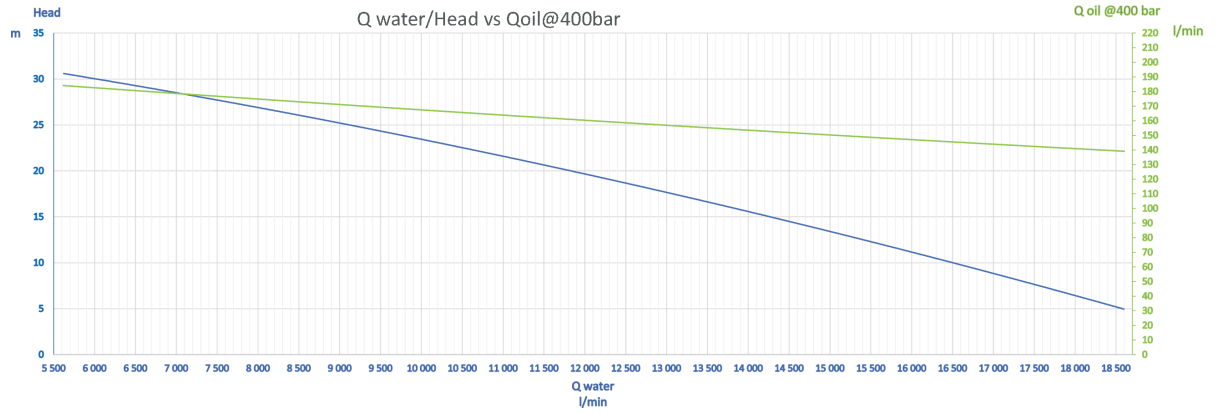
HSP 6500



HSP 8500



HSP 16000





PARTNER OF YOUR MACHINE

Menotie 3
FI-33470 Ylöjärvi, Finland
tel: +358 3 3488 200
info@DYNASET.com



ELECTRICITY

HG Hydraulic Generator
HGV POWER BOX Variable Hydraulic
Generator System
HGV Variable Hydraulic Generator System
HWG Hydraulic Welding Generator
HGG Hydraulic Ground Power Generator



HIGH PRESSURE WATER

HPW Hydraulic High Pressure Water Pump
HPW Hydraulic Power Washer
KPL High Pressure Street Washing Unit
KPL-WEED Weed Killing Unit
SCU Surface Cleaning Unit
HPW-DUST High Pressure Dust Suppression
System
PPL High Pressure Pipe Cleaning Unit
HPW-FIRE High Pressure Firefighting System
FP Fire Fighting Piercing Kit
HDF Hydraulic Drilling Fluid Pump
JPL High Pressure Bin Washing System
HSP Hydraulic Submersible Pump



COMPRESSED AIR

HK Hydraulic Piston Compressor
HKL Hydraulic Rotary Vane Compressor
HKR Hydraulic Screw Compressor



MAGNET POWER

HMG PRO Hydraulic Magnet Generator
MAG Lift Magnet
HMAG PRO Hydraulic Magnet



VIBRATION

HVB Hydraulic Vibration Pump
HVD Hydraulic Directional Vibra
HRC Hydraulic Reversal Cylinder



POWER BOOSTING

HPI Hydraulic Pressure Intensifier
HPI-C Hydraulic Pressure Intensifier for
Cylinder



VACUUM

HCF Hydraulic Centrifugal Fan
HRVB Hydraulic Recycling Vacuum Bucket



KNOW-HOW

Hydraulic Power Take-off (PTO)
Hydraulic Power Unit Technology
HEU Hydraulic Expansion Unit
HRU Hydraulic Rescue Units
De-Icing Technology
Installation Valves
HHK Hydraulic Grinder
HV/HVY Hydraulic Winch / Winch Unit

www.DYNASET.com



[/dynaset](https://www.facebook.com/dynaset)



[/dynasetoy](https://www.youtube.com/dynasetoy)



[/Dynaset_ofcl](https://twitter.com/Dynaset_ofcl)



[/dynaset_official](https://www.instagram.com/dynaset_official)