

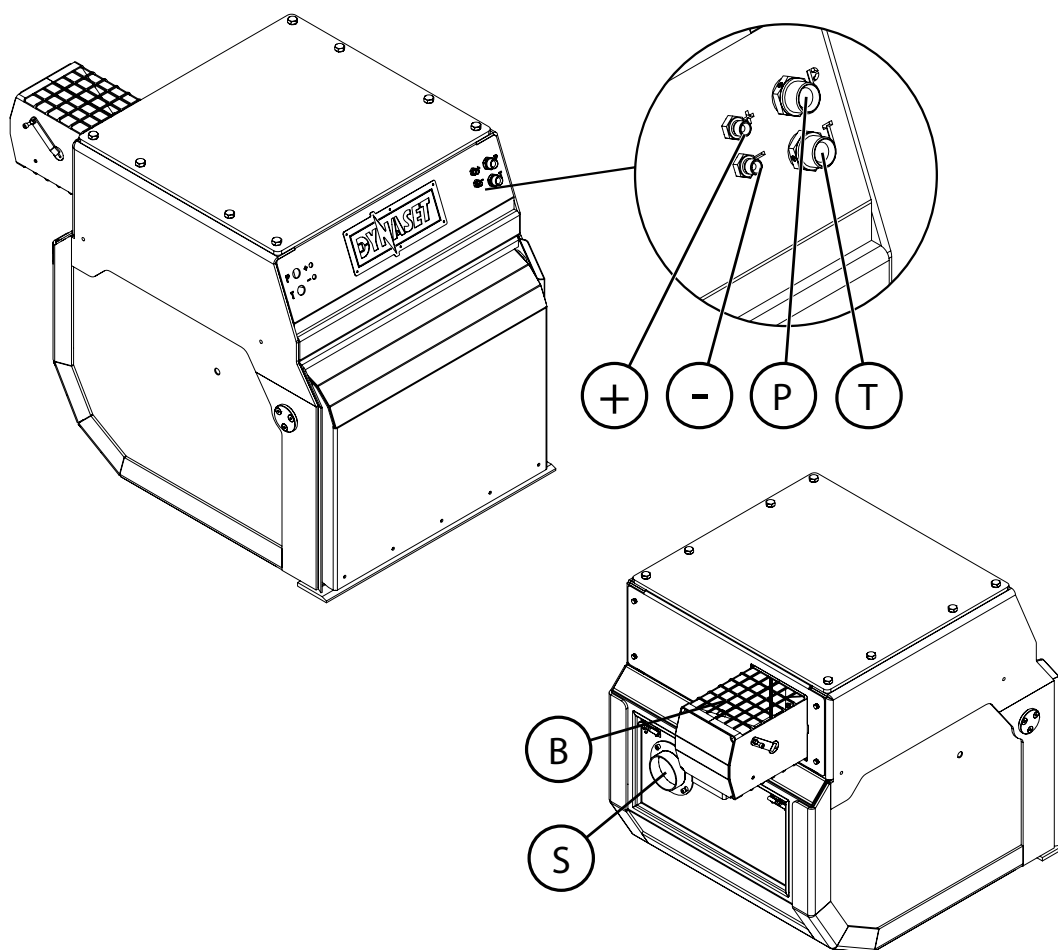
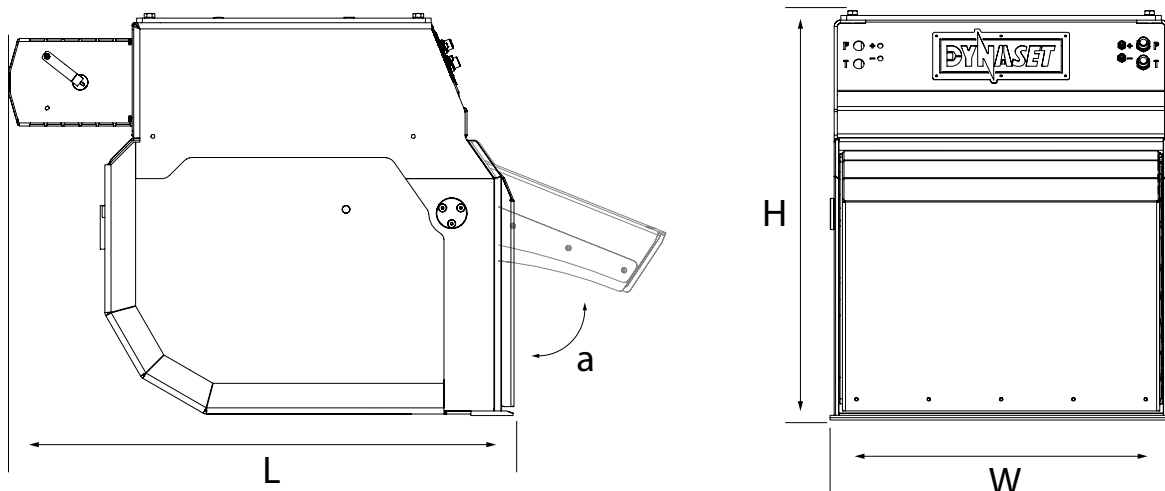
01/21
rev 1.0

DATA SHEET

HRVB HYDRAULIC RECYCLING VACUUM BUCKET



HRVB 830 - 90



STANDARD MODEL		HRVB 830 - 90
OUTPUT CHARACTERISTICS		
Max air vacuum	kPA	- 8
Max air flow	m³/min	3,4
HYDRAULIC CONNECTION		
Pressure line P	P	BSPP 3/4"
Return line T	T	BSPP 3/4"
Hatch control lines	+ / -	BSPP 1/4"
Auxiliary Suction Port	S	Ø90 mm
Blower port	B	-
HYDRAULIC POWER REQUIREMENTS		
Flow min.	l/min (gpm)	90 (23.8)
Required system pressure min.	bar (psi)	200 (2900)
Pressure max.	bar (psi)	250 (3600)
HYDRAULIC FLUID REQUIREMENTS		
Viscosity	cSt	10-200 / optimum 25-35
Temperature	°C (°F)	max. 70 (158)*
Filter ratio	um	25 or better
OVERALL DIMENSIONS		
Hatch opening angle, a	a	0 - 80°
Lenght, L	mm (in)	1316 (51.8)
Width, W	mm (in)	854 (33.6)
Height, H	mm (in)	1029 (40.5)
Weight	kg (lbs)	472 (1040)

Gallons are U.S. liquid gallons.

* Depending on hydraulic oils



Menotie 3
FI-33470 Ylöjärvi, Finland
tel: +358 3 3488 200
info@DYNASET.com



ELECTRICITY

HG Hydraulic Generator
HGV POWER BOX Variable Hydraulic Generator System
HGV Variable Hydraulic Generator System
HWG Hydraulic Welding Generator
HGG Hydraulic Ground Power Generator



HIGH PRESSURE WATER

HPW Hydraulic High Pressure Water Pump
HPW Hydraulic Power Washer
KPL High Pressure Street Washing Unit
HPW-DUST High Pressure Dust Suppression System
PPL High Pressure Pipe Cleaning Unit
HPW-FIRE High Pressure Firefighting System
FP Fire Fighting Piercing Kit
HDF Hydraulic Drilling Fluid Pump
JPL High Pressure Bin Washing System
HSP Hydraulic Submersible Pump



COMPRESSED AIR

HK Hydraulic Piston Compressor
HKL Hydraulic Rotary Vane Compressor
HKR Hydraulic Screw Compressor



VACUUM

HCF Hydraulic Centrifugal Fan
HRVB Hydraulic Recycling Vacuum Bucket



MAGNET POWER

HMG PRO Hydraulic Magnet Generator
MAG Lift Magnet
HMAG PRO Hydraulic Magnet



VIBRATION

HVB Hydraulic Vibration Pump
HVD Hydraulic Directional Vibra
HRC Hydraulic Reversal Cylinder



POWER BOOSTING

HPI Hydraulic Pressure Intensifier
HPI-C Hydraulic Pressure Intensifier for Cylinder



KNOW-HOW

Hydraulic Power Take-off (PTO)
Hydraulic Power Unit Technology
HEU Hydraulic Expansion Unit
HRU Hydraulic Rescue Unis
De-Icing Technology
Installation Valves
HHK Hydraulic Grinder
HV/HVY Hydraulic Winch / Winch Unit

www.DYNASET.com

