

Super Compact

DATA SHEET

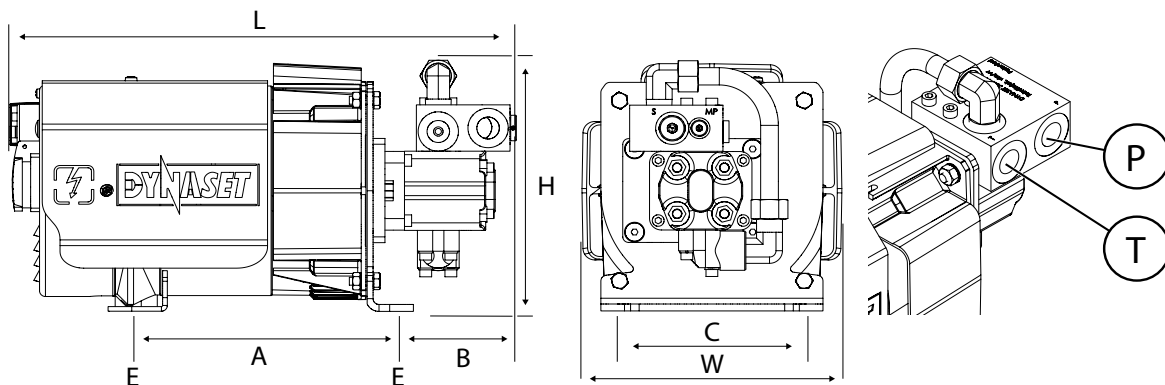
HG HYDRAULIC GENERATOR // 50HZ



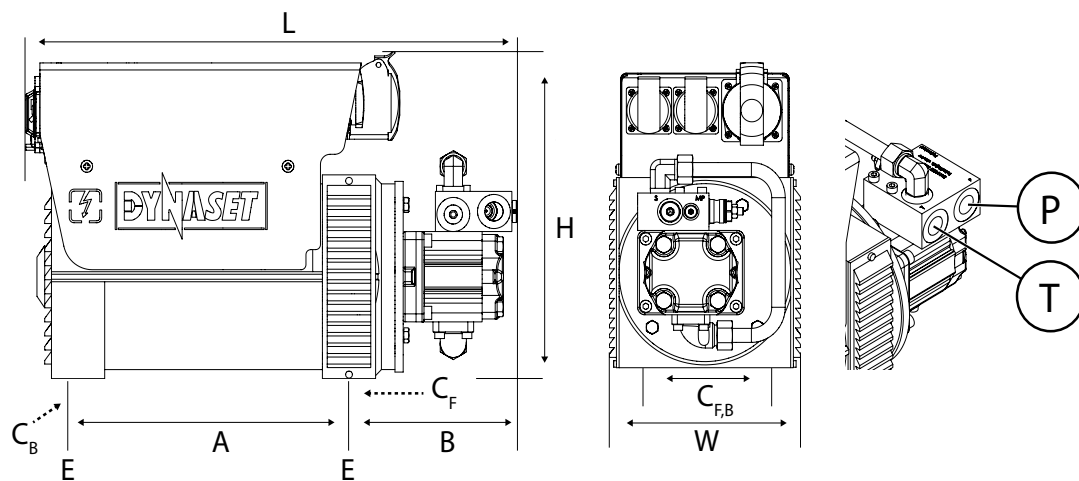
HG3,5S	HG10E	HG26G	HG65C
HG5S	HG12F	HG35G	HG80C
HG6,5E	HG19F	HG45C	

50HZ IP23 SUPER COMPACT MODELS

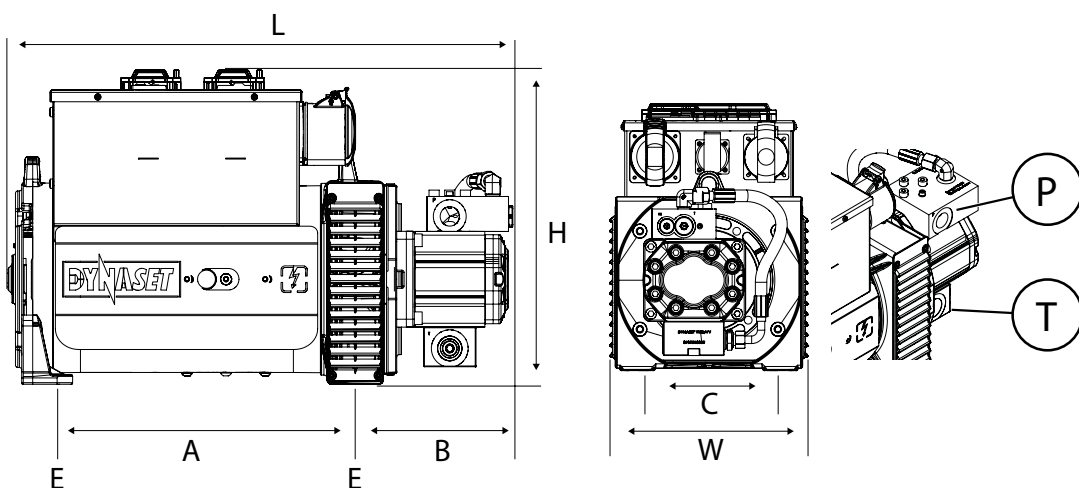
HG3,5S , HG5S



HG6,5E , HG10E , HG12F



HG19F



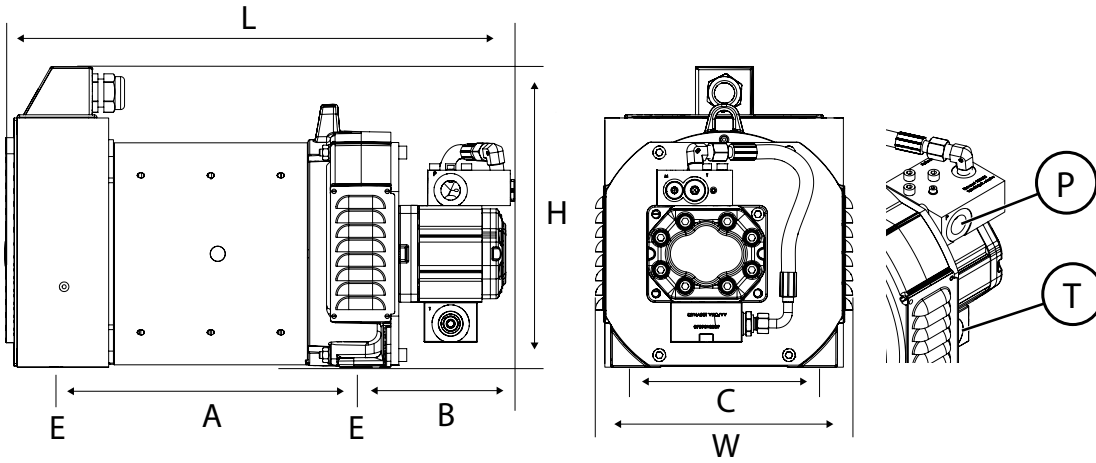
DIMENSIONS & HYDRAULIC PORTS

MODEL	DIMENSIONS, mm (in)								WEIGHT kg (lbs)
	L	W	H	A	B	C	D	E	
HG3,5S-E230SE23-15-VF	423 (16.7)	220 (8.7)	217 (8.55)	224,5 (8.85)	99 (3.9)	150 (5.9) "	-	Ø9 (0.4)	24 (53)
HG5S-E230SE23-21-VF	461 (18.1)	212 (8.3)	230 (9.0)	250 (9.8)	96 (3.8)	150 (5.9)	-	Ø9 (0.4)	29 (64)
HG6,5E-E400SS23-34-VF	508 (20)	212 (8.4)	326 (12.9)	282 (11.1)	178 (7.0)	F 160 (6.3) / R 110 (4.3)	-	Ø12 (0.5)	43 (95)
HG10E-E400SS23-49-VF	567 (22.3)	212 (8.4)	326 (12.9)	338 (13.3)	178 (7.0)	F 160 (6.3) / R 110 (4.3)	-	Ø12 (0.5)	57 (126)
HG12F-E400SS23-54-VF	587 (23.1)	290 (11.45)	352 (13.9)	345 (13.6)	184 (7.3)	200 (7.9)	-	Ø12 (0.5)	60 (132)
HG19F-E400SS23-63-VF	638 (25.1)	293 (11.5)	395 (15.6) / *331 (13)	390 (15.4)	185 (7.3)	220 (8.7)	-	Ø12 (0.5)	105 (231)
HG19F-E400SS23-79-VF	645 (25.4)	293 (11.5)	395 (15.6) / *331 (13)	390 (15.4)	193 (7.6)	220 (8.7)	-	Ø12 (0.5)	105 (231)

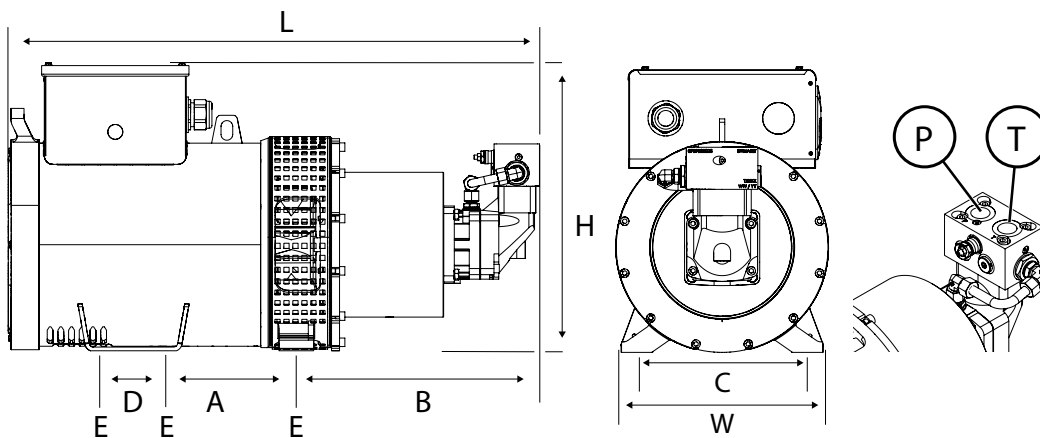
* Cable model

MODEL	PRESSURE LINE	RETURN LINE
	P	T
HG3,5S-E230SE23-15-VF	BSP 1/2"	BSP 1/2"
HG5S-E230SE23-21-VF	BSP 1/2"	BSP 1/2"
HG6,5E-E400SS23-34-VF	BSP 1/2"	BSP 1/2"
HG10E-E400SS23-49-VF	BSP 1/2"	BSP 1/2"
HG12F-E400SS23-54-VF	BSP 1/2"	BSP 1/2"
HG19F-E400SS23-63-VF	BSP 1/2"	BSP 1/2"
HG19F-E400SS23-79-VF	BSP 3/4"	BSP 1"

HG26G, HG35G



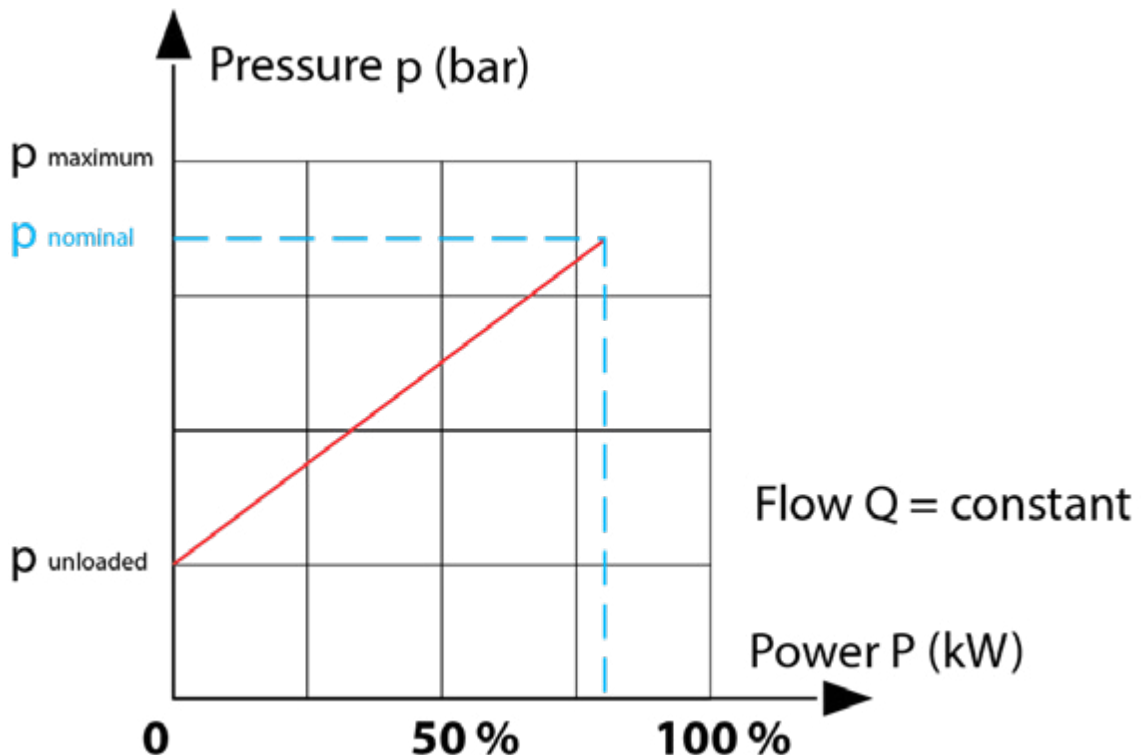
HG45C, HG65C, HG80C



MODEL	DIMENSIONS, mm (in)								WEIGHT
	L	W	H	A	B	C	D	E	kg (lbs)
HG26G-E400SS23-79-K	641 (25.3)	323 (12.7)	374 (14.7)	383 (15)	194 (7.7)	220 (8.7)	-	Ø14 (0.55)	100 (220)
HG35G-E400SS23-100-K	742 (29.2)	323 (12.7)	374 (14.7)	482 (19.0)	196 (7.8)	220 (8.7)	-	Ø14 (0.55)	132 (290)
HG45C-E400SS23-90-K	964 (38)	392 (15.4)	480 (18.9)	204 (8)	455 (17.9)	340 (13.4)	-	Ø18 (0.7)	279 (614)
HG65C-E400SS23-120-K	1043 (42)	402 (15.4)	543 (18.9)	309 (12.2)	446 (17.9)	340 (13.4)	124 (4.7)	Ø18 (0.7)	316 (697)
HG80C-E400SS23-180-K	1086 (42.8)	392 (15.4)	480 (18.9)	309 (12.2)	439 (17.3)	340 (13.4)	120 (4.7)	Ø18 (0.7)	320 (705)

MODEL	PRESSURE LINE	RETURN LINE
	P	T
HG26G-E400SS23-79-K	BSP 3/4"	BSP 1"
HG35G-E400SS23-100-K	BSP 3/4"	BSP 3/4"
HG45C-E400SS23-90-K	BSP 1"	BSP 1"
HG65C-E400SS23-120-K	BSP 1"	BSP 1"
HG80C-E400SS23-180-K	BSP 1"	BSP 1"

PRESSURE TO POWER RATIO



TECHNICAL SPECIFICATIONS

		HG3,5S- E230SE23- 15-VF	HG5S- E230SE23- 21-VF	HG6,5E- E400SS23- 34-VF	HG10E- E400SS23- 49-VF
OUTPUT CHARACTERISTICS					
Output power	kVA	3,5	5	6,5	10
Output power at 140 bar	kVA	1.9	2.9	4.7	7.1
Output Voltage*	V	230 VAC	230 VAC	230/400 VAC	230/400 VAC
Nominal Current	A	15,2 / -	21,7/-	14,2/ 9,4	21,7/ 14,4
Frequency	Hz	50	50	50	50
Power factor	cos φ	1	1	0,8	0,8
Phase		1	1	1 / 3	1 / 3
IP (NEMA)		23 (3)	23 (3)	23 (3)	23 (3)
Voltage regulator		Capasitor	Capasitor	AVR	AVR
Socket	1 phase / 3 phase / K cable	2 / - / -	2 / - / -	2 / 1 / -	2 / 1 / -
HYDRAULIC POWER REQUIREMENTS					
Flow min.	l/min (gpm)	18 (4.8)	23 (6.1)	37 (9.8)	52 (13.8)
Flow max.	l/min (gpm)	23 (6.0)	35 (9.3)	55 (14.5)	78 (20.6)
Pressure at nominal power output	bar (psi)	230 (3300)	220 (3100)	180 (2600)	180 (2600)
Pressure max.	bar (psi)	250 (3600)	250 (3600)	210 (3000)	210 (3000)
Pressure when unloaded	bar (psi)	30 (440)	30 (440)	35 (510)	40 (580)
HYDRAULIC FLUID REQUIREMENTS					
Viscosity	cSt	10-200 / optimum 25-35			
Temperature**	°C (°F)	max. 70 (158)			
Filter ratio	µm	25 or better			
Cleanliness level	ISO 4406	19/17/14			
Cooling capacity requirements	kW	1,3	1,8	2,4	3,2

Gallons are U.S. liquid gallons

* Models are also available by request for other 50 Hz voltage systems.

** Depending on the hydraulic fluid.

VF = Model with F-type socket(s)

Other options available by request.

		HG12F- E400SS23- 54-VF	HG19F- E400SS23- 63-VF	HG19F- E400SS23- 79-VF
OUTPUT CHARACTERISTICS				
Output power	kVA	12	19	19
Output power at 140 bar	kVA	8.8	9	13
Output Voltage*	V	230/400 VAC	230/400	230/400
Nominal Current	A	26,1/ 17,3	41,4/27,4	41,4/27,4
Frequency	Hz	50	50	50
Power factor	cos φ	0,8	0,8	0,8
Phase		1 / 3	1 / 3	1 / 3
IP (NEMA)		23 (3)	23 (3)	23 (3)
Voltage regulator		AVR	AVR	AVR
Socket	1 phase / 3 phase / K cable	2 / 1 / -	1 / 2 / -	1 / 2 / -
HYDRAULIC POWER REQUIREMENTS				
Flow min.	l/min (gpm)	56 (14.8)	66 (17.4)	83 (21.9)
Flow max.	l/min (gpm)	84 (22.2)	99 (26.2)	113 (29.9)
Pressure at nominal power output	bar (psi)	180 (2600)	250 (3600)	190 (2750)
Pressure max.	bar (psi)	210 (3000)	260 (3750)	280 (4000)
Pressure when unloaded	bar (psi)	30 (440)	40 (580)	30 (440)
HYDRAULIC FLUID REQUIREMENTS				
Viscosity	cSt	10-200 / optimum 25-35		
Temperature**	°C (°F)	max. 70 (158)		
Filter ratio	µm	25 or better		
Cleanliness level	ISO 4406	19/17/14		
Cooling capacity requirements	kW	3,9	4,6	4,6

Gallons are U.S. liquid gallons

* Models are also available by request for other 50 Hz voltage systems.

** Depending on the hydraulic fluid.

VF = Model with F-type socket(s)

Other options available by request.

		HG26G- E400SS23- 79-K	HG35G- E400SS23- 100-K	HG45C- E400SS23- 90-K
OUTPUT CHARACTERISTICS				
Output power	kVA	26	35	45
Output power at 140 bar	kVA	13	16	15
Output Voltage*	V	230/400 VAC	230/400 VAC	230/400 VAC
Nominal Current	A	56,3/37,5	75/50,5	97,4/64,9
Frequency	Hz	50	50	50
Power factor	cos φ	0,8	0,8	0,8
Phase		1/3	1/3	1/3
IP (NEMA)		23 (3)	23 (3)	23 (3)
Voltage regulator		AVR	AVR	AVR
Socket	1 phase / 3 phase / K cable	- / - / K	- / - / K	- / - / K
HYDRAULIC POWER REQUIREMENTS				
Flow min.	l/min (gpm)	83 (21.9)	103 (27.2)	93 (24.6)
Flow max.	l/min (gpm)	113 (29.9)	133 (35.1)	123 (32.5)
Pressure at nominal power output	bar (psi)	250 (3600)	270 (3900)	370 (5350)
Pressure max.	bar (psi)	280 (4000)	280 (4000)	420 (6100)
Pressure when unloaded	bar (psi)	30 (440)	30 (440)	30 (440)
HYDRAULIC FLUID REQUIREMENTS				
Viscosity	cSt	10-200 / optimum 25-35		
Temperature**	°C (°F)	max. 70 (158)		
Filter ratio	µm	25 or better		
Cleanliness level	ISO 4406	19/17/14		
Cooling capacity requirements	kW	6,1	7,8	12

Gallons are U.S. liquid gallons

* Models are also available by request for other 50 Hz voltage systems.

** Depending on the hydraulic fluid.

Other options available by request.

		HG65C- E400SS23- 120-K	HG80C- E400SS23- 180-K
OUTPUT CHARACTERISTICS			
Output power	kVA	65	80
Output power at 140 bar	kVA	22	29
Output Voltage*	V	230/400 VAC	230/400 VAC
Nominal Current	A	140,7/93,8	173,2/115,4
Frequency	Hz	50	50
Power factor	cos φ	0,8	0,8
Phase		1/3	1/3
IP (NEMA)		23 (3)	23 (3)
Voltage regulator		AVR	AVR
Socket	1 phase / 3 phase / K cable	- / - / K	- / - / K
HYDRAULIC POWER REQUIREMENTS			
Flow min.	l/min (gpm)	123 (32.5)	183 (48.4)
Flow max.	l/min (gpm)	153 (40.4)	213 (56.3)
Pressure at nominal power output	bar (psi)	360 (5221)	330 (4750)
Pressure max.	bar (psi)	420 (6100)	420 (6100)
Pressure when unloaded	bar (psi)	30 (440)	30 (440)
HYDRAULIC FLUID REQUIREMENTS			
Viscosity	cSt	10-200 / optimum 25-35	
Temperature**	°C (°F)	max. 70 (158)	
Filter ratio	µm	25 or better	
Cleanliness level	ISO 4406	19/17/14	
Cooling capacity requirements	kW	16	24

Gallons are U.S. liquid gallons

* Models are also available by request for other 50 Hz voltage systems.

** Depending on the hydraulic fluid.

Other options available by request.



Menotie 3
FI-33470 Ylöjärvi, Finland
tel: +358 3 3488 200
info@dynaset.com



ELECTRICITY

HG Hydraulic Generator
HGV POWER BOX Variable Hydraulic Generator System
HGV Variable Hydraulic Generator System
HWG Hydraulic Welding Generator
HGG Hydraulic Ground Power Generator



HIGH PRESSURE WATER

HPW Hydraulic High Pressure Water Pump
HPW Hydraulic Power Washer
KPL High Pressure Street Washing Unit
HPW-DUSS High Pressure Dust Suppression System
PPL High Pressure Pipe Cleaning Unit
HDF Hydraulic Drilling Fluid Pump
HPW-FIRE High Pressure Firefighting System
FP Firefighting Piercing Kit
JPL High Pressure Bin Washing System
HSP Hydraulic Submersible Pump



COMPRESSED AIR

HK Hydraulic Piston Compressor
HKR Hydraulic Screw Compressor
HKL Hydraulic Rotary Vane Compressor



VACUUM

HCF Hydraulic Centrifugal Fan
HRVB Hydraulic Recycling Vacuum Bucket



MAGNET POWER

HMG PRO Hydraulic Magnet Generator
MAG Lifting Magnet
HMAG PRO Hydraulic Magnet



VIBRATION

HVB Hydraulic Vibra
HVD Hydraulic Directional Vibra
HRC Hydraulic Reversal Cylinder



POWER BOOSSING

HPI Hydraulic Pressure Intensifier
HPIC Hydraulic Pressure Intensifier for Cylinder



KNOW-HOW

Hydraulic Power Take-off (PTO)
Installation Valves
HMV Hydraulic Modular Valve System
HHK Hydraulic Grinder
HV Hydraulic Winch & HVY Hydraulic Winch Unit
De-Icing Technology
HEU Hydraulic Expansion Unit
HPU Hydraulic Power Unit
HRU Hydraulic Rescue Unit

www.dynaset.com

